



GW251130

warming drawer Gaggenau Minimalistic series
60 x 14 cm
GW251130

Highlights

Flush installation
Handleless drawer
Bright interior lighting.
Push-to-open function.
Hygienic stainless steel interior with glass bottom
Direct temperature selection in the range 30 °C to 80 °C.
Also for low-temperature cooking, dough proving, herbs and fruits drying, chocolate melting and defrosting.

Heating methods

Preheating of small beverage containers.
Warming ovenware.
Keeping meals warm.
Low-temperature cooking.
Direct temperature control.
Personalisation function via Home Connect.
16 additional programmes via Home Connect.

Handling

Touch key operation.

Features

Net volume 20 litres.
Volume capacity: Dinner service for 6 people including ø 27 cm plates and soup bowls, additional bowls and a serving dish depending on size.
Capacity load max. 25 kg.
Usable interior dimensions
W 548 mm x H 92 mm x D 410 mm.
Heating system for even heat distribution and stable cavity temperature.
Status display, visible in the glass front.
Glass bottom made of safety glass.

Selected digital services (Gaggenau Home Connect)

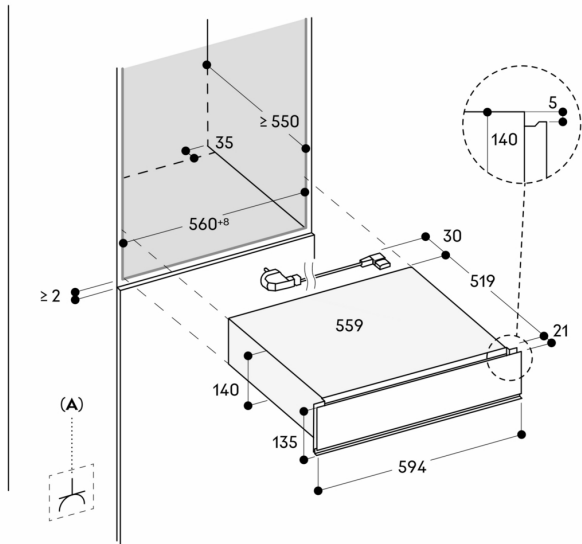
Additional programmes and recipes.
Remote control and monitoring.

Planning notes

Plan the niche without back wall.
Protrusion from appliance front to furniture cabinet 21 mm.
Installation of GO/GS/GM/GC directly above the drawer without intermediate shelf.
Drawers installed above a dishwasher need a specific niche.
The socket can be planned behind the appliance.

Connection

Total connected load 0.82 KW.
Connection cable 1.75 m, pluggable.



A: Accessible electrical connection
Measurements in mm