



GW451120

warming drawer Gaggenau Expressive series
60 x 14 cm
GW451120

- Handleless opening with a light push for convenience and style
- Seamlessly integrated with multiple Gaggenau appliances, offering flexibility and a harmonious aesthetics
- Hygienic stainless steel and glass interior for effortless cleaning and elegant design
- Six power levels and four heating modes ensure consistent temperature control for various culinary needs

Highlights

Handleless drawer
Bright interior lighting.
Push-to-open function.
Hygienic stainless steel interior with glass bottom
Direct temperature selection in the range 30 °C to 80 °C.
Also for low-temperature cooking, dough proving, herbs and fruits drying, chocolate melting and defrosting.

Heating methods

Preheating of small beverage containers.
Warming ovenware.
Keeping meals warm.
Low-temperature cooking.
Direct temperature control.
Personalisation function via Home Connect.
16 additional programmes via Home Connect.

Handling

Touch key operation.

Features

Net volume 20 litres.
Volume capacity: Dinner service for 6 people including ø 27 cm plates and soup bowls, additional bowls and a serving dish depending on size.
Capacity load max. 25 kg.
Usable interior dimensions
W 548 mm x H 92 mm x D 410 mm.
Heating system for even heat distribution and stable cavity temperature.
Status indicator, visible on the frame.
Glass bottom made of safety glass.

Selected digital services (Gaggenau Home Connect)

Additional programmes and recipes.
Remote control and monitoring.
Timing function.

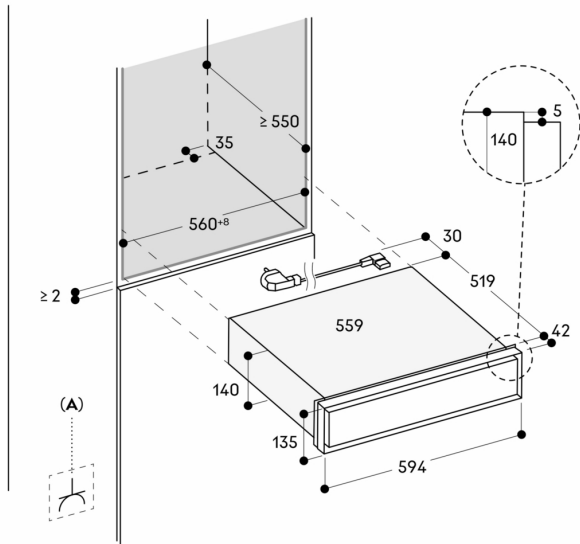
Planning notes

Plan the niche without back wall.
Protrusion from appliance front to furniture cabinet 42 mm.
Installation of GO/GS/GM/GC directly above the drawer without intermediate shelf.
Installation directly above a dishwasher is not allowed.
The mains socket must be accessible and located outside the built-in niche.

The socket can be planned behind the appliance.

Connection

Total connected load 0.82 KW.
Connection cable 1.75 m, pluggable.



A: Accessible electrical connection
Measurements in mm