



RB282306



Optional accessories

RA260000:

Heavy duty hinge support (RB 2x)

RA430100:

Storage container with lid, anthracite

Installation Accessories

Fridge-freezer combination 200 series

177.2 x 55.8 cm, soft close flat hinge

RB282306

– Home Connect

- Four climate zones incl. two fresh cooling drawers close to 0 °C

Height adjustable safety glass shelves

Door racks with aluminium profiles

Cushioned door closing system allowing a soft and controlled door closure

Total volume 223 litres

Handling

Electronic temperature control with digital display.

Touch keys.

Features

Automatic defrosting with defrost water evaporation.

Cushioned door closing system from 20° door opening angle, integrated in door hinge.

Open-door and malfunction alarm.

Holiday mode.

Selected digital services (Home Connect)

Remote control and monitoring.

Integrated WiFi module for digital services (Home Connect).

The availability of the Home Connect functionality depends on the availability of the Home Connect Services in your country. Home Connect Services are not available in every country – for further information please check: www.home-connect.com

Cooling

Fast cooling.

Temperature adjustable from +3 °C to +8 °C.

2 safety glass shelves, height adjustable, of which 1 is extendable.

1 integrated shelf.

Wine and champagne rack for 4 bottles, can be completely folded.

1 large door rack with aluminium profile for bottles with flexible bottle holder.

1 door rack with aluminium profile.

Bright interior lighting with integrated glare-free LED side light element.

Volume 101 litres.

Fresh cooling close to 0 °C

1 fully extendable fresh cooling drawer close to 0 °C, illuminated.

Humidity can be adjusted manually.

Ideal for fruit and vegetables.

Ideal for meat, fish and poultry.

Net volume 55 litres.

Freezing

No-frost technology with fast freezing.

Temperature adjustable from -14 °C to -24 °C.

4-star freezer compartment.

Defrost assistance.

Freezing capacity 7 kg /24 h.

Storage time after a malfunction 8 h.

3 freezer drawers, 1 of which extra large.

2 safety glass shelves.

Volume 67 litres.

Product rating

Energy efficiency class D at a range of energy efficiency classes from A to G.

Energy consumption 201 kWh/year.

Noise level 37 dB (A) re 1 pW.

Planning notes

Flat hinge.

Door hinge right, reversible.

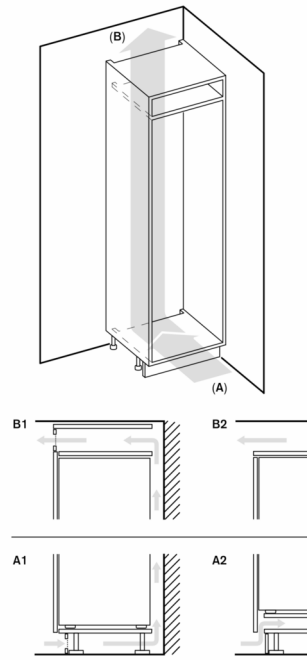
Door opening angle of 115°, fixable at 90°.

Max. door panel weight:

Upper door 19 kg. Lower door 19 kg.

Connection

Connecting cable 2.3 m with plug.



A: Air inlet $\geq 200 \text{ cm}^2$; ventilation options A1 or A2
B: Air outlet $\geq 200 \text{ cm}^2$; ventilation options B1 or B2

