



RB492304
Vario fridge-freezer combination 400 series
 with fresh cooling close to 0 °C fully integrated
 Niche width 91.4 cm, Niche height 213.4 cm
 Cooling-freezing-combination Cooling section with one door and one fully extendable freezer drawer



Stainless steel interior with solid anthracite aluminium elements
 Warm white and glare-free LED light spots
 Opening assist for door with two options:
 1. Push-to-open function for integration into handleless furniture front
 2. Pull-to-open function to facilitate opening the door using a handle
 Flat stainless steel inner door, full-length
 Smooth design rail system providing flexible positioning for shelves and door racks
 Solid anthracite aluminium door racks
 One fresh cooling drawer close to 0 °C with manually adjustable temperature and one fresh cooling drawer with manually adjustable humidity
 Integrated ice maker with fixed inlet water connection
 Fully extendable freezer drawer with practical divider in anthracite
 TFT touch display
 Net volume 521 litres

Handling
 TFT touch display operation.
 Clear text display.

Features
 Dynamic cold air distribution.
 Automatic defrosting with defrost water evaporation.
 Activated charcoal air filter.
 Rest mode certified by Star-K.
 When rest mode is active, the appliance can only be opened using a handle.
 Open-door and malfunction alarm.
 Integrated WiFi module for digital services (Home Connect).
 The availability of the Home Connect functionality depends on the availability of the Home Connect Services in your country. Home Connect Services are not available in every country – for further information please check: www.home-connect.com

Cooling
 No-frost technology with fast cooling. Temperature adjustable from +2 °C to +8 °C.
 3 safety glass shelves, white glass, 2 of which are individually adjustable in height.
 4 brilliant LED light spots with warm white, glare-free light within cooling area and drawers.
 Smooth design door rail system with fully flexible positioning of door racks.
 3 height adjustable door racks, 1 of which is extra deep.
 Net volume 347 litres.

Fresh cooling close to 0 °C
 1 fully extendable fresh cooling drawer close to 0 °C with transparent front, illuminated.
 Temperature can be adjusted manually. Ideal for meat, fish and poultry.
 Net volume 34 litres.

Fresh cooling
 1 fully extendable fresh cooling drawer with transparent front, illuminated.
 Humidity can be adjusted manually. Ideal for fruit and vegetables.

Freezing

Characteristics
Energy Efficiency Class
 E
Average annual energy consumption in kilowatt hour per year (kWh/a)
 326
Sum of volume of frozen compartments
 166
Sum of volume of chill compartments
 389
Airborne acoustical noise emissions
 42
Airborne acoustical noise emission class
Construction type
 Built-in
Door panel options
 Not possible
Height
 2125
Width of the product
 908
Depth of the product
 608
Required niche size for installation (HxD)
 2134.0 x 914.0 x 610
Net weight
 214.200
Connection rating
 300
Fuse protection
 10
Door hinge
 Right reversible
Voltage
 220-240
Frequency
 50-60
Approval certificates
 CE, VDE
Length of electrical supply cord
 300
Storage Period in Event of Power Failure (h)
 17
Number of compressors
 2
Number of independent cooling systems
 2
Interior ventilator
 Yes
Reversible Door Hinge
 Yes
Number of Adjustable Shelves in fridge compartment (Stck)
 2
Shelves for Bottles
 No
Capacity of Water Tank
EAN code
 4242006262105
Brand
 Gaggenau
Product name / Commercial code
 RB492304
Frost free system
Installation type
 N/A

Consumption and connection features

created on 2021-12-09
 Page 1

No-frost technology with fast freezing at -30 °C.
 Temperature adjustable from -14 °C to -24 °C.
 4-star freezer compartment.
 Freezing capacity 16 kg/24 h.
 Storage time after a malfunction 17 h.
 2 fully extendable drawers, one of them inside. Outer drawer with synchronously running pull-out rails.
 Interior lighting with 2 LED light spots, warm white light.
 Net volume 140 litres.

Ice maker
 Integrated in the freezer compartment, with fixed inlet water connection.
 Particle filter for water inlet, integrated in ventilation grille area.
 Can be switched off.
 Ice cube production approx. 1.6 kg/24 h.
 Removable ice storage container with approx. 3 kg capacity.

Product rating
 Energy efficiency class A++ at a range of energy efficiency classes from A++ + to D.
 Energy consumption 347 kWh/year.
 Noise level 42 dB (re 1 pW).

Planning notes
 Flat hinge.
 Door hinge right, reversible.
 Door opening angle of 115°, fixable at 90°.
 Max. door panel weight:
 Door 47 kg.
 Drawer 10 kg.
 Shut-off valve for water connection must be planned next to the appliance and always be accessible.
 If the water pressure exceeds 0.8 MPa (8 bar), connect pressure relief valve between water tap and hose set.

Connection
 Total connected load 0.300 KW.
 Connecting cable 3.0 m, pluggable.
 Water inlet.
 Supply hose 2.0 m with 3/4 " connection.
 Water pressure 2.4 to 8.3 bar.

Color Variants
RB492304
 with fresh cooling close to 0 °C fully integrated

Included accessories
 1 x egg box with lid.
 1 x ice cube scoop.

Optional accessories
RA430100
RA450000
 Mechanical particle filter.

Installation Accessories
RA421910
 Stainless steel door panels with handles
RA423340
RA425110
 Handle bar, stainless steel, long
RA425910
 Handle bar, stainless steel, short
RA428910
RA460000
 Accessory for side-by-side installation
RA460013
RA460030
 Connecting element for vertically split fronts (for fridge-freezer combination with one door)

RB492304

Vario fridge-freezer combination 400 series

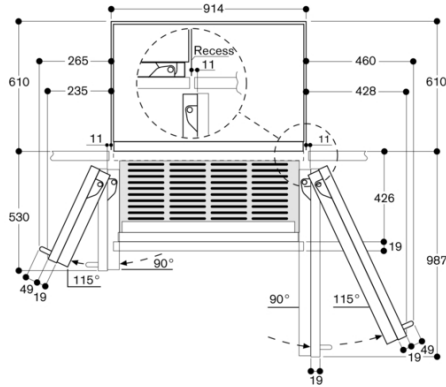
with fresh cooling close to 0 °C fully integrated

Niche width 91.4 cm, Niche height 213.4 cm

Cooling-freezing-combination Cooling section with one door and one fully extendable freezer drawer

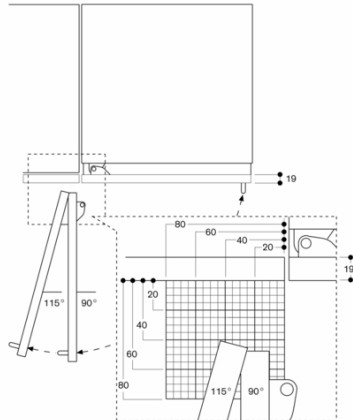
created on 2021-12-09
Page 2

Wall clearance RB 492/RV 492

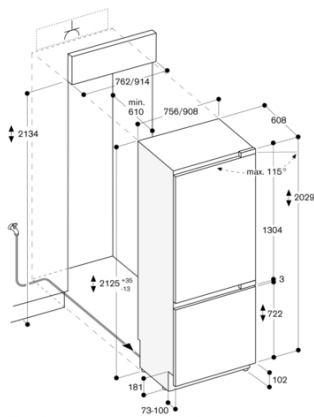


In the drawing, a unit front thickness of 19 mm and a Gaggenau unit handle of 49 mm were taken as a basis.

Door opening angle

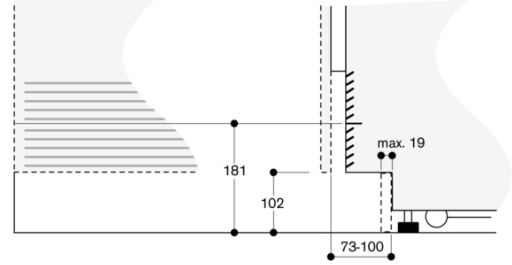


The hinge travel and resulting clearances from adjacent furniture units and handles can be found from the drawing while allowing for the thickness of the front panel. In the drawing, a furniture unit front panel thickness of 19 mm was assumed.



The maximum door panel dimensions are based on a clearance of 3 mm.

Base detail



Based on the standard appliance height, the height of the plinth is 102 mm. Maximum plinth thickness 19 mm.

