



**RC200202**  
**Refrigerator 200 series**  
**fully integrated, under-counter**  
**Niche width 60 cm, Niche height 82 cm**



Combines with freezer RF 200 (Side-by-Side)  
 Net volume 137 litres  
 Cushioned door closing system allowing a soft and controlled door closure

#### Features

Cushioned door closing system from 20° door opening angle, integrated in door hinge.  
 Automatic defrosting with defrost water evaporation.  
 3 safety glass shelves, 2 of which height adjustable.  
 1 pull-out drawer.  
 1 vegetable compartment.  
 1 large door rack for bottles.  
 2 door racks.  
 Bright interior light.

#### Product rating

Energy consumption 92 kWh/year.  
 Noise level 38 dB (re 1 pW).

#### Planning notes

Flat hinge.  
 Door hinge right, reversible.  
 Door opening angle of 115°, fixable at 90°.  
 Max. door panel weight 14 kg.  
 Height-adjustable feet.  
 Plinth height for appliance height of 820 mm: 100 - 170 mm.  
 Plinth height for appliance height of 870 mm: 150 - 220 mm.  
 The enclosed ventilation grille must be used.  
 The main socket needs to be planned outside of the niche.

#### Connection

Total connected load 0.09 KW.  
 Connecting cable 2.3 m with plug.  
 Energy efficiency class A++ at a range of energy efficiency classes from A++ to D.

#### Characteristics

**Energy Efficiency Class (Regulation (EU) 2017/1369)**  
 F

**Average annual energy consumption in kilowatt hour per year (kWh/a) (EU) 2017/1369**  
 114

**Sum of volume of frozen compartments (EU 2017/1369)**  
 0

**Sum of volume of chill compartments (EU 2017/1369)**  
 137

**Airborne acoustical noise emissions (EU 2017/1369)**  
 38

**Airborne acoustical noise emission class (EU 2017/1369)**  
 C

**Construction type**  
 Built-in

**Door panel options**  
 Possible but accessory

**Height (mm)**  
 820

**Width of the appliance**  
 598

**Depth of the product**  
 548

**Required niche size for installation (HxWxD)**  
 820 x 600 x 550

**Net weight (kg)**  
 33.176

**Connection rating (W)**  
 90

**Current (A)**  
 10

**Door hinge**  
 Right reversible

**Voltage (V)**  
 220-240

**Frequency (Hz)**  
 50

**Approval certificates**  
 CE, G-Mark, VDE

**Length of electrical supply cord (cm)**  
 230

**Storage Period in Event of Power Failure (h)**  
 1

**Number of compressors**  
 1

**Number of independent cooling systems**  
 1

**Interior ventilator**  
 No

**Reversible Door Hinge**  
 Yes

**Number of Adjustable Shelves in fridge compartment (Stick)**  
 3

**Shelves for Bottles**  
 No

**Capacity of Water Tank [l]**  
 0

**EAN code**  
 4242006207380

**Brand**  
 Gaggenau

**Product name / Commercial code**  
 RC200202

**Product category**  
 Refrigerator

**Frost free system**  
 No

**Installation type**  
 Built-under

#### Consumption and connection features

created on 2021-07-09  
 Page 1

#### Color Variants

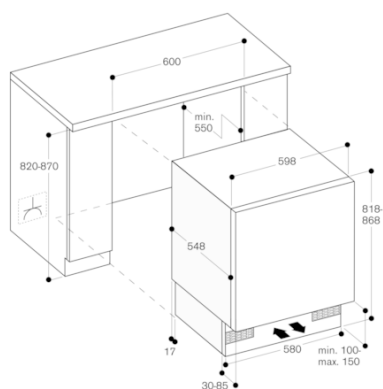
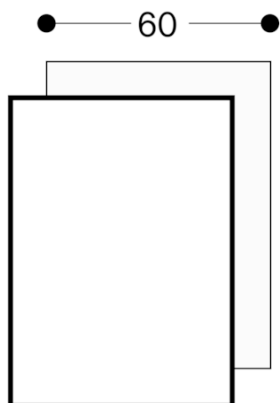
**RC200202**  
**fully integrated, under-counter**  
**Niche width 60 cm, Niche height 82 cm**

#### Included accessories

1 x egg tray.

#### Optional accessories

RA430100



Base height:  
- 100 mm when niche height is 820 mm  
- 150 mm when niche height is 870 mm