



RC200203



Included accessories

1 x egg tray

Optional accessories

RA430100:

Storage container with lid, anthracite

Installation Accessories

Built-under fridge 200 series
82 x 60 cm, soft close flat hinge

RC200203

- Immerse your kitchen in a mesmerizing glow with Gaggenau's Glare-Free LED Light Spots and showcase your dishes like never before.
 - Combines with freezer RF 200 (Side-by-Side) Cushioned door closing system allowing a soft and controlled door closure
- Total volume 137 litres

Features

Automatic defrosting with defrost water evaporation.

Cushioned door closing system from 20° door opening angle, integrated in door hinge.

Cooling

3 safety glass shelves, 2 of which height adjustable.

1 pull-out drawer.

1 vegetable compartment.

1 large door rack for bottles.

2 door racks.

Bright interior LED lighting.

Volume 137 litres.

Product rating

Energy efficiency class F at a range of energy efficiency classes from A to G.

Energy consumption 114 kWh/year.

Noise level 38 dB (A) re 1 pW.

Planning notes

Flat hinge.

Door hinge right, reversible.

Door opening angle of 115°, fixable at 90°.

Max. door panel weight 19 kg.

Height-adjustable feet.

Plinth height for appliance height of 820 mm:
100 - 170 mm.

Plinth height for appliance height of 870 mm:
150 - 220 mm.

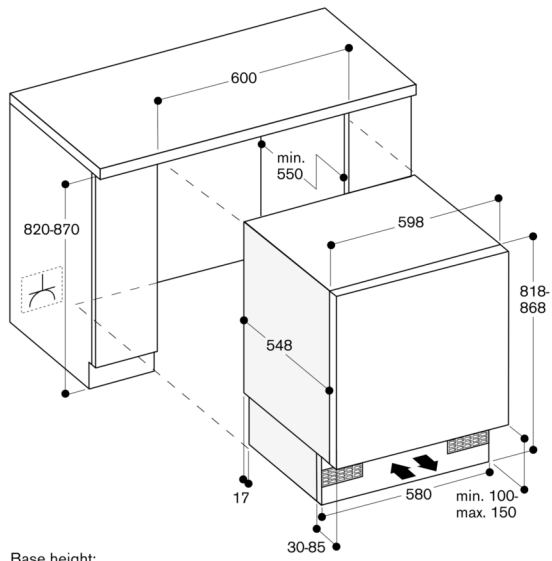
The enclosed ventilation grille must be used.

The main socket needs to be planned outside of the niche.

Connection

Total connected load 0.09 KW.

Connecting cable 2.3 m with plug.



Base height:
- 100 mm when niche height is 820 mm
- 150 mm when niche height is 870 mm

