



RF200203
Freezer 200 series
fully integrated, under-counter
Niche width 60 cm, Niche height 82 cm



Combines with cooler RC 200 (Side-by-Side)
 Cushioned door closing system allowing a soft and controlled door closure
 Total volume 106 litres

Features

Cushioned door closing system from 20° door opening angle, integrated in door hinge.
 Malfunction signal.

Freezing

Fast freezing.
 Temperature range adjustable.
 4-star freezer compartment.
 Freezing capacity 7.4 kg /24 h.
 Storage time after a malfunction 10 h.
 3 freezer drawers.

Product rating

Energy efficiency class F at a range of energy efficiency classes from A to G.
 Energy consumption 224 kWh/year.
 Noise level 38 dB (A) re 1 pW.

Planning notes

Flat hinge.
 Door hinge right, reversible.
 Door opening angle of 115°, fixable at 90°.
 Height-adjustable feet.
 Plinth height for appliance height of 820 mm: 100 - 170 mm.
 Plinth height for appliance height of 870 mm: 150 - 220 mm.
 The enclosed ventilation grille must be used.
 The main socket needs to be planned outside of the niche.

Connection

Total connected load 0.09 KW.
 Connecting cable 2.3 m with plug.

Characteristics

Energy Efficiency Class	F
Average annual energy consumption in kilowatt hour per year (kWh/a)	224
Sum of volume of frozen compartments	106
Airborne acoustical noise emissions	38
Airborne acoustical noise emission class	C
Thermometer freeze section	Analog
Light	No
Product category	Upright freezer
Construction type	Built-in
Door panel options	Possible but accessory
Frost free system	No
Height of the product	820
Width of the appliance	598
Depth of the product	548
Required niche size for installation (HxWxD)	
Dimensions of the packed product (HxWxD)	890 x 620 x 670
Net weight	37.2
Gross weight	40.2
Connection rating	90
Fuse protection	10
Frequency	50
Approval certificates	CE, G-Mark, VDE
Length of electrical supply cord	230
Door hinge	Right reversible
Storage Period in Event of Power Failure (h)	10
Color / Material body	
Defrost process	manual
Warning signal / malfunction	visual and audible
Lockable door	No
Number of drawers/baskets (Stck)	3
Number of freezing flaps (Stck)	0
EAN code	4242006285098
Brand	Gaggeneau
Product name / Commercial code	RF200203
Product category	Upright freezer

Consumption and connection features

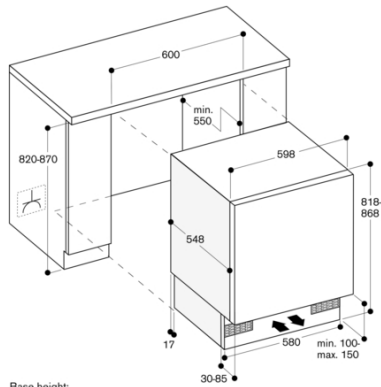
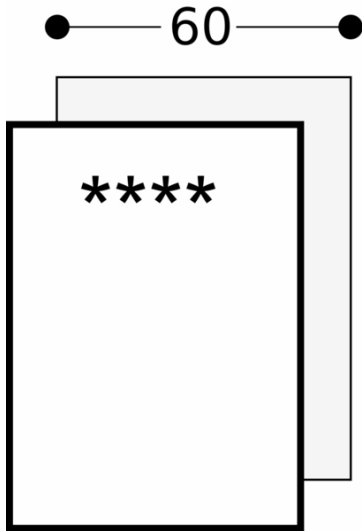
created on 2022-08-11
 Page 1

Color Variants

RF200203
fully integrated, under-counter
Niche width 60 cm, Niche height 82 cm

Included accessories

2 x cold accumulator.
 1 x ice cube tray.



Base height:
- 100 mm when niche height is 820 mm
- 150 mm when niche height is 870 mm