



RF202180



Optional accessories

Installation Accessories

Freezer 200 series
82 x 59.8 cm, soft close flat hinge
RF202180

– Home Connect

– Interior with solid elements in light satin aluminium

Drawers with solid aluminium handles

Cushioned door closing system allowing a soft and controlled door closure

Total volume 85 litres

Handling

LED electronic with touch control.

Features

Automatic defrosting.

Cushioned door closing system from 20° door opening angle, integrated in door hinge.

Open-door and malfunction alarm.

Holiday mode.

Rest mode.

Selected digital services (Home Connect)

Remote control and monitoring.

Remote diagnostics.

Freezing

No-frost technology with fast freezing.

Temperature adjustable from -24 °C to -18 °C.

4-star freezer compartment.

Freezing capacity 8 kg /24 h.

Storage time after a malfunction 9 h.

Volume 75 litres.

Product rating

Energy efficiency class E at a range of energy efficiency classes from A to G.

Energy consumption 189 kWh/year.

Noise level 35 dB (A) re 1 pW.

Planning notes

Flat hinge.

Door hinge right, reversible.

Door opening angle of 115°, fixable at 90°.

Max. door panel weight 19 kg.

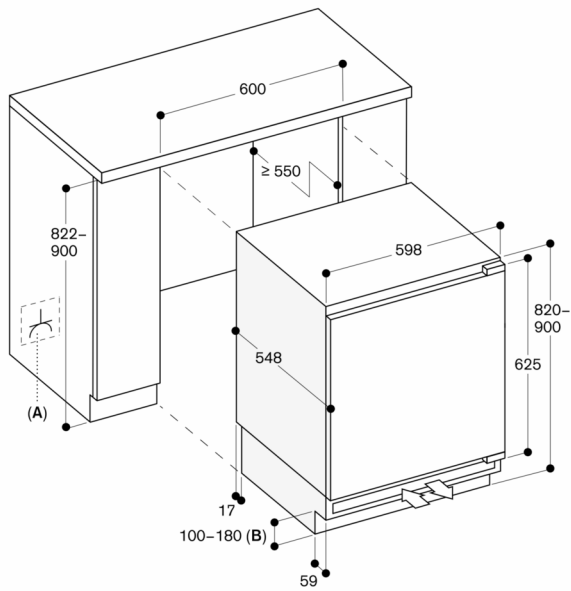
Height-adjustable feet.

The enclosed ventilation grille must be used.

The main socket needs to be planned outside of the niche.

Connection

Connecting cable 2.3 m with plug.



A: Socket

B: Base height:

- 100 mm when niche height is 822 mm
- 180 mm when niche height is 900 mm

Measurements in mm