



RF287200



Included accessories

2 x cold accumulator
1 x ice cube tray

Optional accessories

RA260000:
Heavy duty hinge support (RB 2x)

Installation Accessories

Vario freezer 200 series 177.2 x 55.8 cm, soft close flat hinge RF287200

Interior with precision-fitted, solid aluminium elements in Gaggenau Light Bronze
Safety glass shelves, set in solid aluminium profiles

Drawers with solid aluminium handles and signature drawer front with a gradual frosted surface

Warm white interior lighting (3500 K) with integrated glare-free side lights

Direct access through partitioning with open storage areas

Combines with fridge RC 289 (side-by-side integration)

Combines with wine climate cabinet RW 282 (Side-by-side integration)

Cushioned door closing system allowing a soft and controlled door closure

Total volume 212 litres

Handling

Electronic temperature control with temperature display.

Touch keys.

Features

Dynamic cold air distribution.

Cushioned door closing system from 20° door opening angle, integrated in door hinge.

Open-door and malfunction alarm.

Integrated WiFi module for digital services (Home Connect).

The availability of the Home Connect functionality depends on the availability of the Home Connect Services in your country. Home Connect Services are not available in every country – for further information please check: www.home-connect.com

Freezing

No-frost technology with fast freezing.

Temperature adjustable from -14 °C to -24 °C.

4-star freezer compartment.

Freezing capacity 14 kg /24 h.

Storage time after a malfunction 9 h.

3 freezer drawers, 1 of which is extra large, removable.

Product rating

Energy efficiency class E at a range of energy efficiency classes from A to G.

Energy consumption 235 kWh/year.

Noise level 35 dB (A) re 1 pW.

Planning notes

Flat hinge.

Door hinge left, reversible.

Door opening angle of 115°, fixable at 90°.

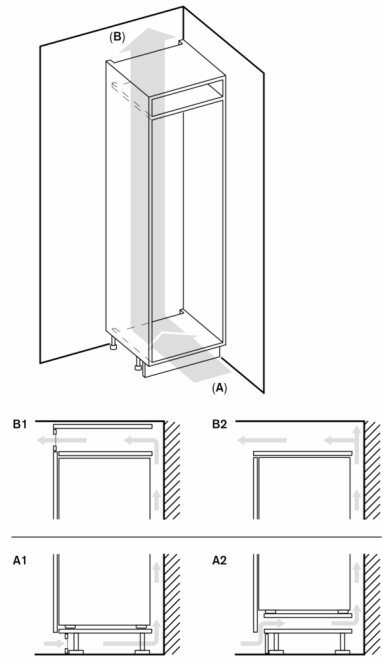
Max. door panel weight 27 kg.

For a side-by-side installation every appliance must be planned in its own niche.

Connection

Total connected load 0.12 KW.

Connecting cable 2.3 m with plug.



A: Air inlet $\geq 200 \text{ cm}^2$; ventilation options A1 or A2
 B: Air outlet $\geq 200 \text{ cm}^2$; ventilation options B1 or B2

