



RF287370



#### Included accessories

- 1 x ice cube tray
- 1 x Heavy-duty hinge support

#### Vario freezer 200 series

177.5 x 56 cm

RF287370

- Opening assist for door with two options
- Interior with precision-fitted, solid aluminium elements in Gaggenu Light Bronze
- Immerse your kitchen in a mesmerizing glow with Gaggenu's Glare-Free LED Light Spots and showcase your dishes like never before.

#### Technical data

##### Other data

Country of origin: DE  
 Household refrigerating appliances categories: Upright freezer  
 EAN Barcode: !2E20AG-daebcg!  
 Statistical number: 84184020  
 CPH-Code: B32203309414BABB2  
 EU category of the household refrigerating appliance model (2010/30/EC): 8  
 Star rating: 4  
 Product group: Freezer  
 Brand: Gaggenu  
 Product name/family: upright freezer Nofrost  
 Product name / Commercial code: RF287370  
 Internal article number: RF287370  
 EAN code: 4242006304126  
 Type: Upright freezer  
 Built-in / Free-standing: Built-in  
 Installation typology: Full-integrated  
 Type of control: Electronic  
 Handling: Button, Via app  
 Door panel options: Not possible  
 Fuse protection: 10 A  
 Nominal voltage: 220-240 V  
 Frequency: 50-60 Hz  
 Length of connection cable: 230 cm  
 Connection: With plug  
 Total unit gross capacity: 235 l  
 Total unit net capacity: 211 l  
 Height of the appliance: 1772 mm  
 Width of the appliance: 558 mm  
 Depth: 545 mm  
 Depth with open door 90 degree: 1140 mm  
 Height of the packed product: 1840 mm  
 Width of the packed product: 610 mm  
 Depth of the packed product: 640 mm  
 Minimum height for installation: 1775 mm  
 Maximum height for installation: 1775 mm  
 Minimum width for installation: 560 mm  
 Maximum width for installation: 560 mm  
 Depth for installation: 550 mm  
 Appliance weight: 66.8 kg  
 Gross weight: 71.0 kg  
 Energy efficiency class: A++  
 Energy consumption annual - NEW (2010/30/EC): 243.00 kWh/a  
 Freezer Net capacity - NEW (2010/30/EC): 211 l  
 Freezing capacity (kg/24h) (2010/30/EU): 14 kg/24h  
 QR Code: [HTTPS://EPRELEC.EUROPA.EU/QR/1054437](https://eprelec.europa.eu/QR/1054437)  
 Energy Efficiency Class: E  
 Noise level: 35 dB(A) re 1pW  
 Noise level class: B  
 Annual energy consumption: 235 kWh/a

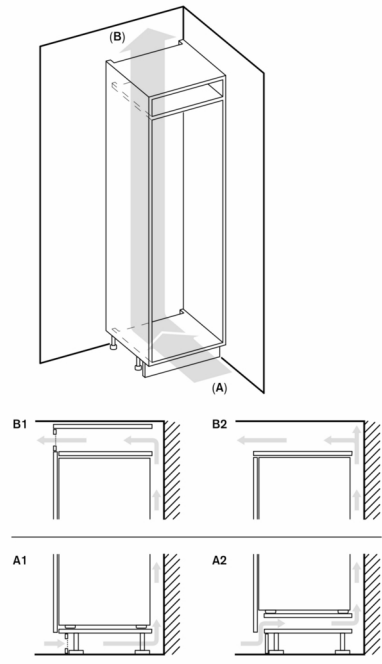
Sum of volume of frozen compartments: 212 l  
 Sum of volume of chill compartments: 0 l  
 Product outside the scope of "low noise appliance" and "wine storage appliance"  
 Climate Class: Extended temperate, Subtropical, Temperate, tropical  
 Minimum ambient temperature: 10 °C  
 Maximum ambient temperature: 43 °C  
 Fast freezing  
 Compartment Volume (4-Star): 212.0 l  
 Recommended Temperature (4-Star): -18 °C  
 Freezing capacity: 14.0 kg/24h  
 Defrosting Type (4-Star): Automatic  
 Fast freezing function  
 Total volume: 212 l  
 Energy Efficiency Index: 100  
 Noise level: 35 dB(A) re 1pW  
 Frost free system: Fridge and freezer  
 Warning signal / malfunction: Both visual and audible  
 Door hinge: left, reversible  
 Defrost: Automatic  
 Fast freezing  
 Temperature adjustable  
 Cover door installation system: Fixed-mounted  
 Number of drawers: 3  
 Number of freezing flaps (Stck): 0  
 Thermometer freeze section: Digital  
 Light  
 Included accessories: 1 x ice cube tray, 1 x Heavy-duty hinge support  
 Product image: 19396051\_GG\_GL\_Cooling\_200\_RF287370\_2PS78R\_1\_def.jpg  
 Value class: 200 series  
 Niche dimensions (HxWxD): 1775x560x550 mm  
 Dimensions of the packaged appliance (HxWxD): 1840x610x640 mm  
 Reversible Door Hinge  
 Cold appliance: Isobutane  
 No. of external doors: 1  
 Ice cube maker: 1 ice cube tray  
 Gaggenu Home Connect?  
 Door handle type: no handle  
 Product Series Key: Upright freezer, NF  
 Construction Type Group: Built in  
 Manufacturer: BSH FCLG Giengen  
 Productdivision: PRF  
 Chemical Tax Classification: 0 %  
 Energy Efficiency Class for Light Regulation (light source 1) (EU) 2019/1805): F  
 Lighting technology used (light source 1) (EU) 2019/1805): LED  
 Energy Efficiency Class for Light Regulation (light source 2) (EU) 2019/1805): F  
 Lighting technology used (light source 2) (EU) 2019/1805): LED  
 Main product group (MDA, SDA, ACC, OTH): MDA  
 Appliance type label class: upright freezer  
 EAN Barcode: !2E20AG-daebcg!  
 Statistical number: 84184020  
 Niche dimensions (HxWxD): 1775x560x550 mm  
 Country of origin: DE  
 Dimensions of the packaged appliance (HxWxD): 1840x610x640 mm  
 Volume packaging (dm3): 718.414  
 CPH-Code: B32203309414BABB2  
 Household refrigerating appliances categories: Upright freezer  
 Reversible Door Hinge

---

RF287370

---

Cold appliance: Isobutane  
No. of external doors: 1  
Ice cube maker: 1 ice cube tray  
Gaggenau Home Connect®  
Door handle type: no handle  
Product Series Key: Upright freezer, NF  
EAN14: 14242006304123  
Construction Type Group: Built in  
Productdivision: PRF



A: Air inlet  $\geq 200 \text{ cm}^2$ ; ventilation options A1 or A2  
 B: Air outlet  $\geq 200 \text{ cm}^2$ ; ventilation options B1 or B2

