



Color Variants

RF463301
fully integrated
Niche width 61 cm, Niche height 213.4 cm

Required installation accessories

RA460011
Additional side heating element

Installation Accessories

RA422610
RA425110
Handle bar, stainless steel, long
RA460020
Connecting element for vertically split appliance fronts (for a flush front)
RA460040
Finger protection for extra long furniture fronts

RF463301

Vario freezer 400 series

fully integrated

Niche width 61 cm, Niche height 213.4 cm

Left-hinged

Stainless steel interior
Generous lighting concept
Integrated ice maker with fixed inlet water connection
Illuminated dispenser for ice cubes, crushed ice and chilled water
Solid aluminium door racks
Net volume 299 litres
Energy efficiency class A+

Handling

Electronic temperature control with digital display.

Features

Dynamic cold air distribution.
Automatic defrosting with defrost water evaporation.
Energy-saving vacation mode.
Open-door and malfunction alarm.

Freezing

No-frost technology with fast freezing.
Temperature adjustable from -14 °C to -25 °C.
4-star freezer compartment.
Freezing capacity 14 kg/24 h.
Storage time after a malfunction 12 h.
4 solid metal shelves, 2 of which are manually adjustable.
2 fully extendable drawers with transparent front, 1 of which large, 1 regular.
Bright interior lighting with light pillars.
1 extra deep door rack.
1 door rack with transparent front flap.

Ice and water dispenser

Illuminated.
Integrated, with fixed inlet water connection.
Can be switched off.
Ice cube production approx. 1.9 kg/24 h.
Ice cubes and crushed ice.
Removable ice storage container with approx. 3 kg capacity.
Ice water supply approx. 1.5 litres.

Product rating

Energy consumption 342 kWh/year.
Noise level 41 dB (re 1 pW).

Planning notes

Flat hinge.
Door opening angle of 115°, fixable at 90°.
Max. door panel weight 57 kg.
Shut-off valve for water connection must be planned next to the appliance and always be accessible.
If the water pressure exceeds 0.8 MPa (8 bar), connect pressure relief valve between water tap and hose set.

Connection

Total connected load 0.592 kW.
Connecting cable 3.0 m, pluggable.
Water inlet.
Supply hose 3.0 m with 3/4" connection.
Water pressure 2.4 to 8.3 bar.

Characteristics

Thermometer freeze section

Digital

Light

Yes

Product category

Upright freezer

Construction type

Built-in

Door panel options

Not possible

Frost free system

Fridge and freezer

Height of the product (mm)

2125

Width of the product (mm)

603

Depth of the product

608

Required niche size for installation (HxWxD)

2134.0 x 610 x 610

Dimensions of the packed product (HxWxD) (mm)

2270 x 740 x 700

Net weight (kg)

163.772

Gross weight (kg)

179.0

Connection rating (W)

592

Current (A)

10

Frequency (Hz)

50

Approval certificates

CE, VDE

Length of electrical supply cord (cm)

300

Energy efficiency class

Energy consumption (kWh)

Total annual energy consumption (kWh)

Freezing capacity (kg)

Door hinge

Left

Storage Period in Event of Power Failure (h)

12

Color / Material body

Defrost process

Warning signal / malfunction

No signal

Lockable door

No

Number of drawers/baskets (Stck)

2

Number of freezing flaps (Stck)

0

EAN code

4242006219857

Consumption and connection features

Brand

Gaggenau

Product name / Commercial code

RF463301

Product category

Upright freezer

Energy efficiency class (2010/30/EC)

A+

Energy consumption annual (kWh/annum) - NEW (2010/30/EC)

342.00

Freezer Net capacity (l) - NEW (2010/30/EC)

299

Frost free system

Fridge and freezer

Temperature rise time (h)

12

Freezing capacity (kg/24h) - NEW (2010/30/EC)

14

Climate class

SN-T

Noise level (dB(A) re 1 pW)

41

Installation type

N/A

created on 2019-04-30

Page 1

RF463301

Vario freezer 400 series

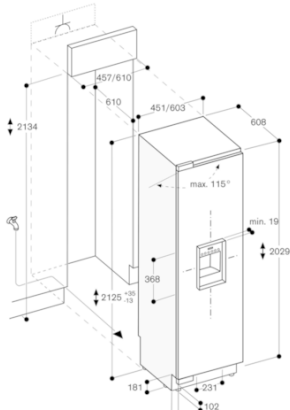
fully integrated

Niche width 61 cm, Niche height 213.4 cm

Left-hinged

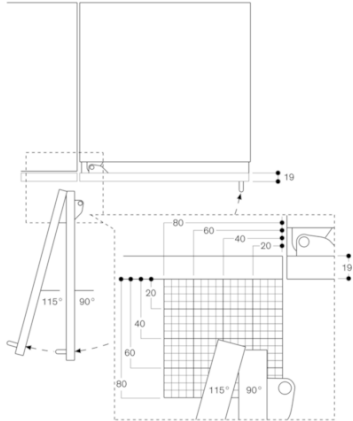
created on 2019-04-30

Page 2

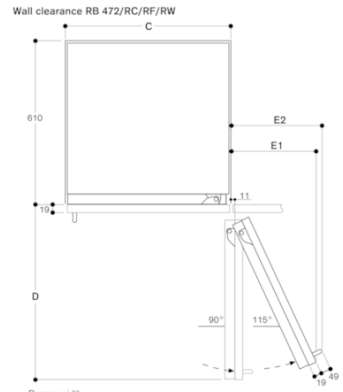
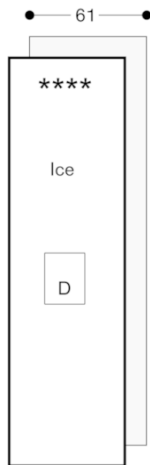


The maximum door panel dimensions are based on a clearance of 3 mm.

Door opening angle



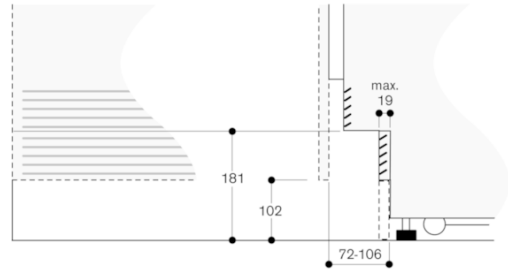
The hinge travel and resulting clearances from adjacent furniture units and handles can be found from the drawing while allowing for the thickness of the front panel. In the drawing, a furniture unit front panel thickness of 19 mm was assumed.



Recess width	D	E1	E2	
C	457 mm	525 mm	235 mm	265 mm
	610 mm	677 mm	299 mm	330 mm
	762 mm	830 mm	363 mm	395 mm

In the drawing, a unit front thickness of 19 mm and a Gaggenau unit handle of 49 mm were taken as a basis.

Base detail



Based on the standard height of the appliance, the height of the plinth is 102 mm. Maximum thickness of the plinth is 19 mm.