



**RF463305**  
**Vario freezer 400 series**  
 Niche width 61 cm, Niche height 213.4 cm  
 Left-hinged



Stainless steel interior with solid anthracite aluminium elements  
 Warm white and glare-free LED light spots  
 Opening assist for door with two options:  
 1. Push-to-open function for integration into handleless furniture front  
 2. Pull-to-open function to facilitate opening the door using a handle  
 The drawers in the fridge and freezer models are positioned at the same height.

With side-by-side installation, the glass shelves and door racks can be aligned on the same level  
 Material and aesthetics of interior as for RC model  
 - Glass shelves - Solid anthracite aluminium door racks  
 Flat stainless steel inner door, full-length  
 Smooth design rail system providing flexible positioning for shelves and door racks  
 Ice and water dispenser in the door  
 Integrated ice maker with fixed inlet water connection  
 Proximity sensor for ice and water dispenser  
 Illuminated dispenser for ice cubes, crushed ice and chilled water  
 TFT touch display  
 Net volume 300 litres

**Handling**  
 TFT touch display operation.  
 Clear text display.  
 Touch key operation for ice and water dispenser.

**Features**  
 Dynamic cold air distribution.  
 Automatic defrosting with defrost water evaporation.  
 Rest mode certified by Star-K.  
 When rest mode is active, the appliance can only be opened using a handle.  
 Open-door and malfunction alarm.  
 Integrated WiFi module for digital services (Home Connect).  
 The availability of the Home Connect functionality depends on the availability of the Home Connect Services in your country. Home Connect Services are not available in every country – for further information please check: [www.home-connect.com](http://www.home-connect.com)

**Freezing**  
 No-frost technology with fast freezing at -30 °C.  
 Temperature adjustable from -14 °C to -24 °C.  
 4-star freezer compartment.  
 Freezing capacity 14 kg/24 h.  
 Storage time after a malfunction 10 h.  
 4 safety glass shelves, 2 of which are individually height adjustable.  
 2 fully extendable drawers with transparent front.

**Ice and water dispenser**  
 Warm white LED lighting.  
 Proximity sensor for automatic activation of light and touch keys for ice and water dispenser.  
 Integrated, with fixed inlet water connection.

**Characteristics**  
**Energy Efficiency Class**  
 F  
**Average annual energy consumption in kilowatt hour per year (kWh/a)**  
 337  
**Sum of volume of frozen compartments**  
 304  
**Airborne acoustical noise emissions**  
 42  
**Airborne acoustical noise emission class**  
 D  
**Thermometer freeze section**  
**Light**  
 Yes  
**Product category**  
 Upright freezer  
**Construction type**  
 Built-in  
**Door panel options**  
 Not possible  
**Frost free system**  
 Fridge and freezer  
**Height of the appliance**  
 2125  
**Width of the appliance**  
 603  
**Depth of the product**  
 608  
**Min. required niche size for installation (HxWxD)**  
 2134.0 x 610 x 610  
**Dimensions of the packed product (HxWxD)**  
 2260 x 750 x 690  
**Net weight**  
 159.6  
**Gross weight**  
 174.0  
**Connection rating**  
 300  
**Fuse protection**  
 10  
**Frequency**  
 50-60  
**Length of electrical supply cord**  
 300.0  
**Door hinge**  
 Left  
**Color / Material body**  
**Defrost process**  
**Warning signal / malfunction**  
**Door lock**  
 No  
**Number of drawers/baskets (Stck)**  
 2  
**Number of freezing flaps (Stck)**  
 0  
**EAN code**  
 4242006262181  
**Brand**  
 Gaggenau  
**Product name / Commercial code**  
 RF463305  
**Product category**  
 Upright freezer  
**Included accessories**  
 1 x connection set

**Consumption and connection features**  
 created on 2023-03-24  
 Page 1

Particle filter for water inlet, integrated in ventilation grille area.  
 Can be switched off.  
 Ice cube production approx. 1.4 kg/24 h.  
 Ice cubes and crushed ice.  
 Removable ice storage container with approx. 3.2 kg capacity.  
 Ice water supply approx. 1.5 litres.

**Product rating**  
 Energy efficiency class A+ at a range of energy efficiency classes from A+++ to D.  
 Energy consumption 343 kWh/year.  
 Noise level 42 dB (re 1 pW).

**Planning notes**  
 Flat hinge.  
 Door opening angle of 115°, fixable at 90°.  
 Max. door panel weight 67 kg.  
 Shut-off valve for water connection must be planned next to the appliance and always be accessible.  
 If the water pressure exceeds 0.8 MPa (8 bar), connect pressure relief valve between water tap and hose set.

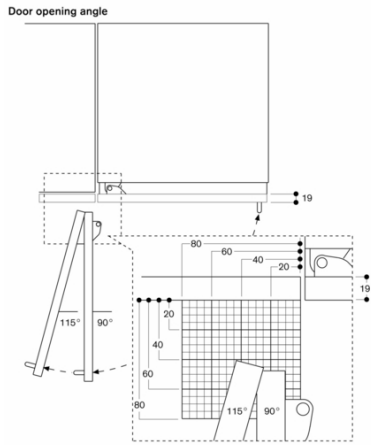
**Connection**  
 Total connected load 0.300 KW.  
 Connecting cable 3.0 m, pluggable.  
 Water inlet.  
 Supply hose 2.0 m with 3/4" connection.  
 Water pressure 2.4 to 8.3 bar.  
 Fully integrated, with ice and water dispenser  
 Cushioned door closing system.  
 For an installation with a door opening angle of 90°, the drawers have a restricted access.  
 Saturation indicator shown in TFT touch display.

**Color Variants**  
 RF463305  
 Niche width 61 cm, Niche height 213.4 cm  
 Left-hinged

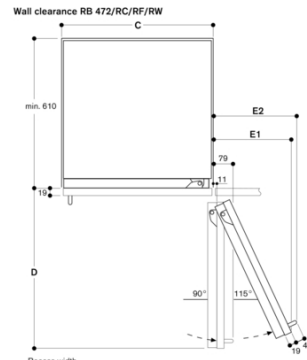
**Included accessories**  
 1 x connection set.

**Optional accessories**  
 RA450012  
 Activated charcoal filter for water filter system

**Installation Accessories**  
 RA422610  
 RA423140  
 RA425110  
 Handle bar, stainless steel, long  
 RA428810  
 RA460013  
 RA460020  
 Connecting element for vertically split appliance fronts (for a flush front)  
 RA464618  
 Ventilation grille stainless steel



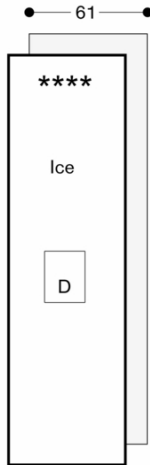
The hinge travel and resulting clearances from adjacent furniture units and handles can be found from the drawing while allowing for the thickness of the front panel. In the drawing, a furniture unit front panel thickness of 19 mm was assumed.



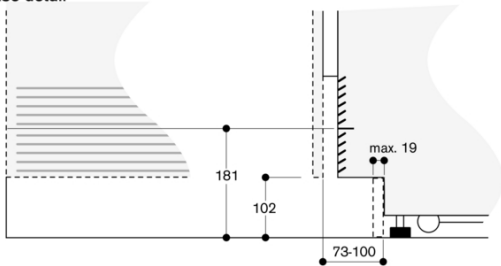
Recess width

C	D	E1	E2
457 mm	525 mm	235 mm	265 mm
610 mm	677 mm	299 mm	330 mm
762 mm	830 mm	364 mm	395 mm
914 mm	980 mm	428 mm	460 mm

In the drawing, a unit front thickness of 19 mm and a Gaggenau unit handle of 49 mm were taken as a basis.



Base detail



Based on the standard appliance height, the height of the plinth is 102 mm. Maximum plinth thickness 19 mm.