



**RT200203**  
**Fridge-freezer combination 200 series**  
**fully integrated, under-counter**  
**Niche width 60 cm, Niche height 82 cm**



Cushioned door closing system allowing a soft and controlled door closure  
Total volume 123 litres

#### Features

Automatic defrosting with defrost water evaporation.  
Cushioned door closing system from 20° door opening angle, integrated in door hinge.

#### Cooling

2 safety glass shelves, 1 of which height adjustable.  
1 pull-out drawer.  
1 vegetable compartment.  
1 large door rack for bottles.  
2 door racks.  
Bright interior LED lighting.  
Volume 108 litres.

#### Freezing

Storage temperature -18°C and lower.  
4-star freezer compartment.  
Freezing capacity 3.4 kg /24 h.  
Storage time after a malfunction 8 h.  
Volume 15 litres.

#### Product rating

Energy efficiency class F at a range of energy efficiency classes from A to G.  
Energy consumption 180 kWh/year.  
Noise level 38 dB (A) re 1 pW.

#### Planning notes

Flat hinge.  
Door hinge right, reversible.  
Door opening angle of 115°, fixable at 90°.  
Max. door panel weight 19 kg.  
Height-adjustable feet.  
Plinth height for appliance height of 820 mm: 100 - 170 mm.  
Plinth height for appliance height of 870 mm: 150 - 220 mm.  
The enclosed ventilation grille must be used.  
The main socket needs to be planned outside of the niche.

#### Connection

Total connected load 0.09 KW.  
Connecting cable 2.3 m with plug.

#### Characteristics

##### Energy Efficiency Class

F

Average annual energy consumption in kilowatt hour per year (kWh/a)

180

Sum of volume of frozen compartments

15

Sum of volume of chill compartments

108

Airborne acoustical noise emissions

38

Airborne acoustical noise emission class

C

Construction type

Built-in

Door panel options

Possible but accessory

Height

820

Width of the appliance

598

Depth of the product

548

Min. required niche size for installation (HxWxD)

820 x 600 x 550

Net weight

35.3

Connection rating

90

Fuse protection

10

Door hinge

Right reversible

Voltage

220-240

Frequency

50

Length of electrical supply cord

230

Number of compressors

1

Number of independent cooling systems

1

Interior ventilator

No

Reversible Door Hinge

Yes

Number of Adjustable Shelves in fridge compartment (Stck)

1

Shelves for Bottles

No

Capacity of Water Tank

No

EAN code

4242006290795

Brand

Gaggenau

Product name / Commercial code

RT200203

Product category

Refrigerator

Frost free system

No

Installation type

Built-under

Included accessories

1 x egg tray, 1 x ice cube tray

Consumption and connection features

created on 2023-01-14

Page 1

#### Color Variants

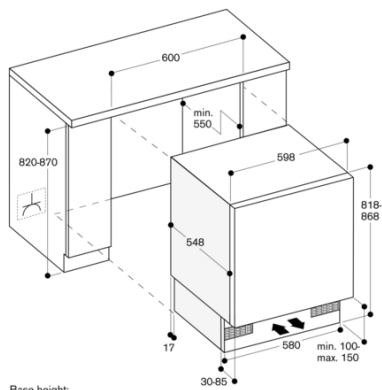
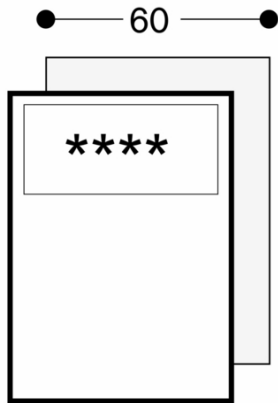
**RT200203**  
**fully integrated, under-counter**  
**Niche width 60 cm, Niche height 82 cm**

#### Included accessories

1 x egg tray.  
1 x ice cube tray.

#### Optional accessories

**RA430100**



Base height:  
- 100 mm when niche height is 820 mm  
- 150 mm when niche height is 870 mm