



RT282306



#### Included accessories

3 x egg tray  
1 x wine and champagne rack  
1 x ice cube tray

#### Optional accessories

RA260000:  
Heavy duty hinge support (RB 2x)  
RA430100:  
Storage container with lid, anthracite

#### installation accessories

### Fridge-freezer combination 200 series 177.2 x 55.8 cm, soft close flat hinge RT282306

Four climate zones incl. three fresh cooling drawers close to 0 °C  
Height adjustable safety glass shelves  
Door racks with aluminium profiles  
Cushioned door closing system allowing a soft and controlled door closure  
Total volume 269 litres

#### Handling

Electronic temperature control with digital display.  
Touch keys.

#### Features

Automatic defrosting with defrost water evaporation.  
Cushioned door closing system from 20° door opening angle, integrated in door hinge.  
Open-door and malfunction alarm.

#### Selected digital services (Gaggenau Home Connect)

Remote control and monitoring.  
Integrated WiFi module for digital services (Home Connect).  
The availability of the Home Connect functionality depends on the availability of the Home Connect Services in your country. Home Connect Services are not available in every country – for further information please check: [www.home-connect.com](http://www.home-connect.com)

#### Cooling

Fast cooling.  
Temperature adjustable from +3 °C to +8 °C.  
5 safety glass shelves, height adjustable, of which 1 is extendable.  
1 integrated shelf.  
Wine and champagne rack for 4 bottles, can be completely folded away.  
1 large door rack with aluminium profile for bottles with flexible bottle holder.  
4 door racks with aluminium profile.  
Bright interior lighting with integrated glare-free LED side light element.  
Volume 171 litres.

#### Fresh cooling close to 0 °C

1 fully extendable fresh cooling drawer close to 0 °C, illuminated.  
Humidity can be adjusted manually.  
Ideal for fruit and vegetables.  
2 fully extendable fresh cooling drawers close to 0 °C, illuminated.  
Ideal for meat, fish and poultry.  
Net volume 83 litres.

#### Freezing

Storage temperature -18 °C and lower.  
4-star freezer compartment.  
Freezing capacity 2.8 kg /24 h.  
Storage time after a malfunction 9.5 h.  
Volume 15 litres.

#### Product rating

Energy efficiency class E at a range of energy efficiency classes from A to G.

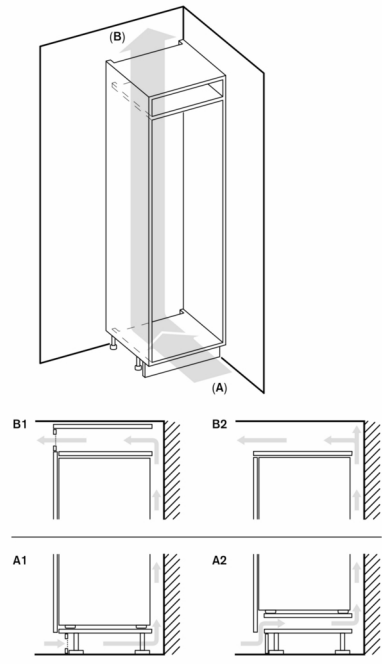
Energy consumption 184 kWh/year.  
Noise level 36 dB (A) re 1 pW.

#### Planning notes

Flat hinge.  
Door hinge right, reversible.  
Door opening angle of 115°, fixable at 90°.  
Max. door panel weight 27 kg.

#### Connection

Total connected load 0.09 KW.  
Connecting cable 2.3 m with plug.



A: Air inlet  $\geq 200 \text{ cm}^2$ ; ventilation options A1 or A2  
 B: Air outlet  $\geq 200 \text{ cm}^2$ ; ventilation options B1 or B2

