



refrigerator Vario cooling Expressive series
213.4 x 90 cm
RVC497190

General

Installation typology: Full-integrated
Door hinge: right, reversible
Opening door assist
Cushioned door closing system
Full touch TFT display
Total volume: 622 l

Comfort

Automatic defrosting
Freshness system: 2 fresh climate drawers, 1 chilled drawer, Fresh cooling 0 °C
Fast cooling
Rest mode
Activated charcoal air filter: Air fresh filter
Ethylene absorber
Open-door alarm

Cooling

Number of shelves: 4
Number of height-adjustable shelves: 3
Number of door racks: 4
Interior lighting: LED

Connectivity

Gaggenuau Home Connect¹
Selected digital services (Gaggenuau Home Connect): Remote diagnostics, Remote Monitoring and Control

Performance and consumption values

Energy Efficiency Class²: D
Annual energy consumption: 159 kWh/a
Noise level class: C
Noise level: 38 dB(A) re 1pW

Technical specifications

Length of connection cable: 300 cm

Installation

Dimensions (HxWxD): 2123x894x608 mm
Dimensions of the packaged appliance (HxWxD): 2270x975x770 mm
Niche dimensions (HxWxD): 2134x900x610 mm
Appliance weight: 201.9 kg

RVC497190



Included accessories

1 x egg box with lid
2 x wooden bottle holder magnetic
1 x Ethylene absorber

Optional accessories

RA430100:
Storage container with lid, anthracite

RVA438040:
Bottle support, oak wood, 1 pcs.

RVA450220:
Activated charcoal air filter, 2 pcs

installation accessories

RA425110:
Vario SS handle 1131 mm

RA460020:
Frontpanel connection long

RVA421924:
SS door with handle 90 cm (35.5")

RVA423141:
Side trims, 3 mm

RVA428924:
SS door w/o handle 90 cm (35.5")

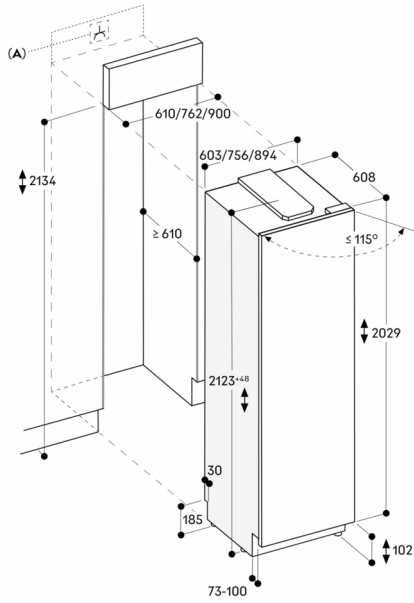
RVA460000:
Installationskit side-by-side

RVA460020:
Backward compatibility kit SbS

RVA460900:
Replacement kit SbS, 91.4 cm/36"

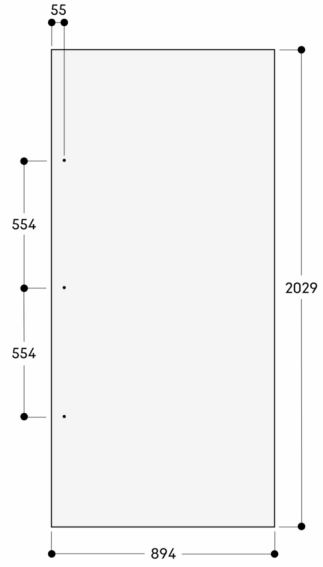
RVA460910:
Replacement kit single unit, 91.4 cm/36"

RVA466900:
Door direction change kit 90cm (35.5")



A: Electrical connection
 Maximum door panel dimensions are based on a clearance of 3 mm
 The height of the plinth can be reduced to 50 mm
 Measurements in mm

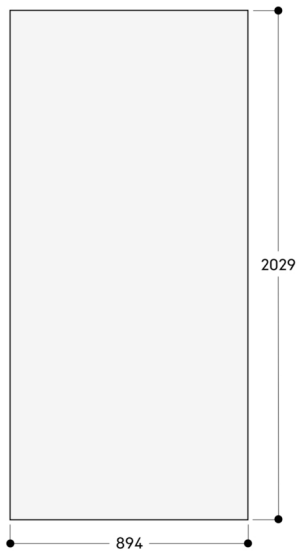
Niche width 900 mm



The door panel thickness is 19 mm
 The maximum door panel dimensions are based on a clearance of 3 mm, based on a single niche

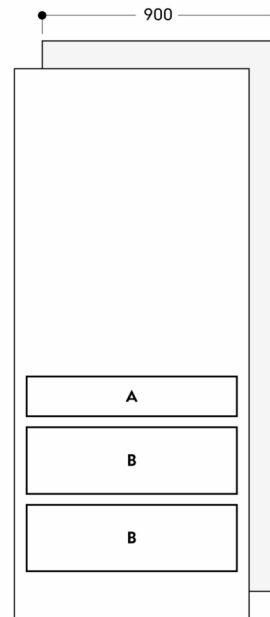
Measurements in mm

Niche width 900 mm



The door panel thickness is 19 mm
 The maximum door panel dimensions are based on a clearance of 3 mm, based on a single niche

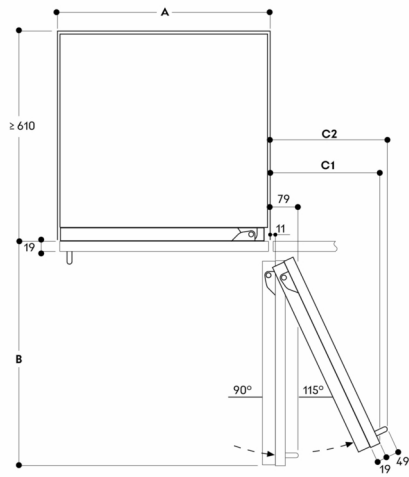
Measurements in mm



A: Chilled drawer
 B: Fresh climate drawer

Measurements in mm

Wall clearance RVB / RVC / RVF / RVW



Niche width

A	B	C1	C2
457	525	235	265
610	677	299	330
762	830	364	395
900	970	420	442

The drawing is based on a door panel thickness of 19 mm as well as the height of a Gaggenau handle of 49 mm

Measurements in mm