



#### Color Variants

**RW404261**  
under-counter, stainless steel-framed  
glass door  
Niche width 60 cm, Niche height 82 cm

#### Optional accessories

**RA050220**  
Replacement activated charcoal air  
filter.

**RA097600**  
Accessory for side-by-side installation  
of two under-counter wine climate  
cabinets

**RW404261**  
**Wine climate cabinet**  
under-counter, stainless steel-framed  
glass door  
Niche width 60 cm, Niche height 82 cm



Two independantly controllable climate zones  
Consistant temperatures with exact control from +5 °C to +20 °C  
Humidity control.  
Extendable bottle trays in beech and aluminium  
LED lightning  
Cushioned door closing system allowing a soft and controlled door closure  
Lockable door  
Capacity 34 bottles

#### Handling

Electronic temperature control with digital display.  
Touch keys.  
Presentation light option in each climate zone, dimmable.  
Interior lighting with automatic dimming with opening and closing of door.

#### Features

Dynamic cold air distribution.  
Automatic defrosting with defrost water evaporation.  
Cushioned door closing system integrated in door hinge.  
1 activated charcoal air filter for both climate zones.  
UV-protection.  
Open-door and malfunction alarm.  
Dust filter, dishwasher-safe.

#### Features

Net volume 94 litres.  
Capacity 34 bottles (based on 0.75 l standard bottles).  
5 bottle trays, 3 of which are extendable.  
Storage of magnum bottles possible.

#### Product rating

Energy consumption 144 kWh/year.  
Noise level 38 dB (re 1 pW).

#### Planning notes

Flat hinge.  
Door hinge right, reversible.  
Door opening angle 115°, fixable at 95°.  
Height-adjustable feet.  
For integration next to a side wall a clearance of 150 mm hinge side is necessary.  
The main socket needs to be planned outside of the niche.  
No transport/operation above 1.500 m sea level.

#### Connection

Total connected load 0.13 KW.  
Connecting cable 2.0 m with plug.  
Side-by-side installation possible with special accessory  
LED lightning.  
Energy efficiency class A at a range of energy efficiency classes from A+++ to G.

#### Characteristics

##### Construction type

Built-in

##### Door panel options

Not possible

##### Height

818

##### Width of the appliance

597

##### Depth of the product

570

##### Required niche size for installation (HxWxD)

820 x 600 x 580

##### Net weight

51.0

##### Connection rating

130

##### Fuse protection

10

##### Interior ventilator

Yes

##### Voltage

220-240

##### Frequency

50-60

##### Approval certificates

CE, VDE

##### Length of electrical supply cord

200

##### Plug type

Gardy plug w/ earthing

##### Energy consumption winecooler

0.39

##### Energy consumption per Year winecooler

123

##### Total unit gross capacity

1

##### Number of compressors

1

##### Number of independent cooling systems

1

##### Reversible Door Hinge

Yes

##### Interior light switch

No

##### EAN code

4242006240165

##### Brand

Gaggenau

##### Product name / Commercial code

RW404261

##### Product category

Energy efficiency rating

A

##### Energy consumption annual - NEW (2010/30/EC)

144.00

##### Capacity in 0.75l (bordeaux bottles)

34

##### Climate class

SN-ST

##### Noise level

38

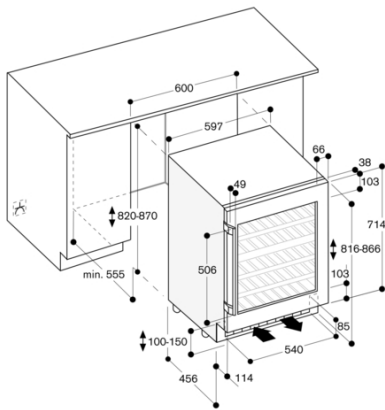
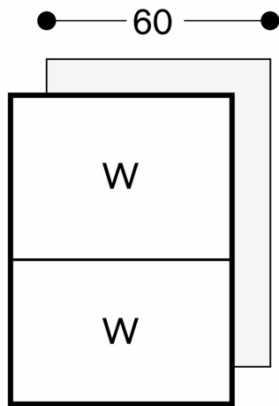
#### Consumption and connection features

created on 2022-08-09

Page 1

RW404261  
Wine climate cabinet  
under-counter, stainless steel-framed  
glass door  
Niche width 60 cm, Niche height 82 cm

created on 2022-08-09  
Page 2



**Bottle storage**

