



Color Variants

RW404262
under-counter, stainless steel-framed
glass door
Niche width 60 cm, Niche height 82 cm

Optional accessories

RA050220
Replacement activated charcoal air
filter.

RA097600
Accessory for side-by-side installation
of two under-counter wine climate
cabinets

RW404262

Wine climate cabinet
under-counter, stainless steel-framed
glass door
Niche width 60 cm, Niche height 82 cm



Two independantly controllable climate
zones

Consistant temperatures with exact
control from +5 °C to +20 °C
Humidity control.
Extendable bottle trays in beech and
aluminium
LED lightning
Cushioned door closing system
allowing a soft and controlled door
closure
Lockable door
Capacity 34 bottles
Side-by-side installation possible with
special accessory

Handling

Electronic temperature control with
digital display.
Touch keys.
Presentation light option in each
climate zone, dimmable.

Features

Dynamic cold air distribution.
Automatic defrosting with defrost water
evaporation.
Cushioned door closing system
integrated in door hinge.
1 activated charcoal air filter for both
climate zones.
UV-protection.
Open-door and malfunction alarm.
Dust filter, dishwasher-safe.

Features

Capacity 34 bottles (based on 0.75 l
standard bottles).
5 bottle trays, 3 of which are
extendable.
Storage of magnum bottles possible.
LED lighting.

Product rating

Energy efficiency class G at a range of
energy efficiency classes from A to G.
Energy consumption 146 kWh/year.
Noise level 35 dB (A) re 1 pW.

Planning notes

Flat hinge.
Door hinge right, reversible.
Height-adjustable feet.
Door opening angle 115°, fixable at
95°.
For integration next to a side wall a
clearance of 150 mm hinge side is
necessary.
The main socket needs to be planned
outside of the niche.
No transport/operation above 1.500 m
sea level.

Connection

Total connected load 0.13 KW.
Connecting cable 2.0 m with plug.

Characteristics

Energy Efficiency Class

G

Average annual energy consumption in
kilowatt hour per year (kWh/a)

146

Capacity of 75 cl bottles

34

Airborne acoustical noise emissions

35

Airborne acoustical noise emission
class

B

Construction type

Built-in

Door panel options

Not possible

Height

818

Width of the appliance

597

Depth of the product

570

Required niche size for installation
(HxWxD)

820 x 600 x 580

Net weight

53.0

Connection rating

130

Fuse protection

10

Interior ventilator

Yes

Voltage

220-240

Frequency

50-60

Approval certificates

CE, VDE

Length of electrical supply cord

200

Plug type

Gardy plug w/ earthing

Number of compressors

1

Number of independent cooling
systems

1

Reversible Door Hinge

Yes

Interior light switch

No

EAN code

4242006295042

Brand

Gaggenau

Product name / Commercial code

RW404262

Product category

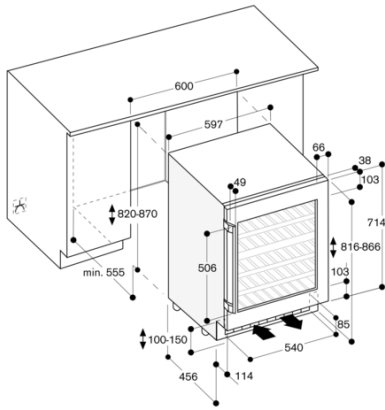
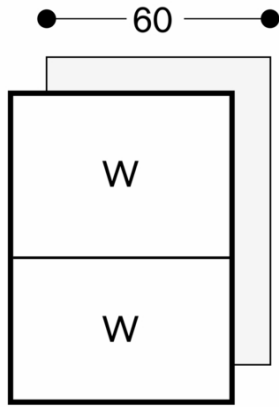
Consumption and connection features

created on 2022-08-06

Page 1

RW404262
Wine climate cabinet
under-counter, stainless steel-framed
glass door
Niche width 60 cm, Niche height 82 cm

created on 2022-08-06
Page 2



Bottle storage

