



RW466305



1 x connection set

RA430000:

Screw hole cover set

RA491661:

Extendable bottle tray, oak wood, RW 466

RA492660:

Tray, oak wood, for RW466

RA493060:

DECOR FRAME RA 493-060

RA498640:

Bottle support, oak wood, for RW466

RA423140:

Side trims, long

RA425110:

Vario SS handle 1131 mm

RA428610:

SS door w/o handle 61cm / 24"

RA460013:

Heating side kit 230V

RA460020:

Frontpanel connection long

RA464611:

Ventilation grille 61cm / 24" w/o filter

RA420010:

Door lock for RW 414 and RW 464/466

RA421610:

SS door 61cm / 24"

Vario wine climate cabinet 400 series

212.5 x 60.3 cm

RW466305

- Five preset lighting scenarios
- Three independently controllable climate zones from 5° to 20°
- High-quality interior for optimum wine presentation
- Humidity control
- Three independently controllable climate zones

Constant temperatures with exact control from +5 °C to +20 °C

Humidity control

Stainless steel interior

Fully extendable bottle trays in oak wood and solid aluminium in anthracite

Bottle trays with hidden telescopic rails

Warm white and glare-free LED light spots

5 preset lighting scenarios, selectable via TFT display

Opening assist for door with two options:

1. Push-to-open function for integration into handleless furniture front 2. Pull-to-open function to facilitate opening the door using a handle

Low-vibration operation

TFT touch display

Capacity 99 bottles

Handling

TFT touch display operation.

Clear text display.

Lockable door (with door lock RA 420 010).

Features

Dynamic cold air distribution.

Automatic defrosting with defrost water evaporation.

Cushioned door closing system.

Activated charcoal air filter.

UV-protection.

Rest mode certified by Star-K.

When rest mode is active, the appliance can only be opened using a handle.

Open-door and malfunction alarm.

Selected digital services (Gaggenau Home Connect)

Remote control and monitoring.

Remote diagnostics.

Light scenarios.

Integrated WiFi module for digital services

(Home Connect).

The availability of the Home Connect functionality depends on the availability of the Home Connect Services in your country. Home Connect Services are not available in every country – for further information please check: www.home-connect.com

Features

Capacity 99 bottles (based on 0.75 l standard bottles).

12 bottle trays,

- 9 fully extendable trays - 3 suitable for storage of Magnum bottles.

Flexible interior configuration possible by adding or removing fully extendable bottle trays.

Storage of up to 12 Magnum bottles with

standard tray configuration (12 bottle trays).

Space for max. 12 bottle trays.

2 brilliant LED light spots with warm white, glare-free light (3500 K) in each climate zone.

5 different lighting scenarios can be selected for individual wine presentation.

Total volume 370 litres.

Product rating

Energy efficiency class F at a range of energy efficiency classes from A to G.

Energy consumption 129 kWh/year.

Noise level 42 dB (A) re 1 pW.

Planning notes

Flat hinge.

Door hinge right, reversible.

Door opening angle of 115°, fixable at 90°.

Max. door panel weight 73 kg.

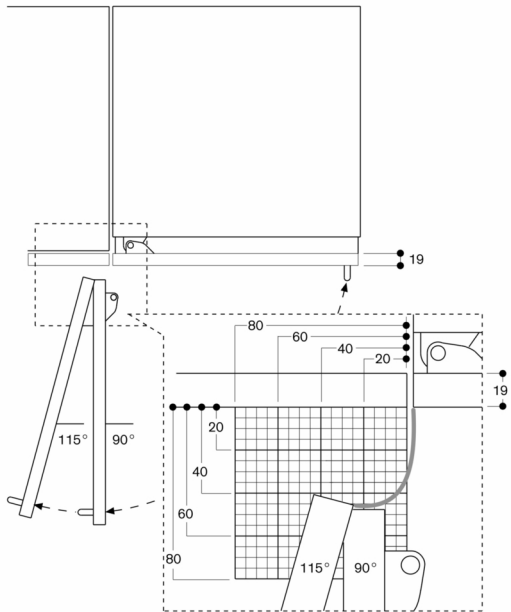
The main socket needs to be planned outside of the niche.

Connection

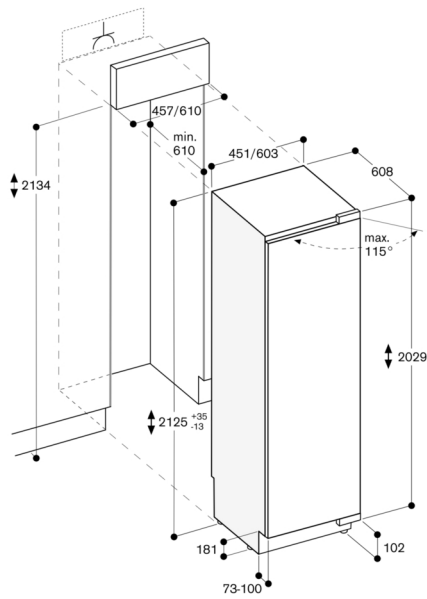
Total connected load 0.300 KW.

Connecting cable 3.0 m, pluggable.

Door opening angle

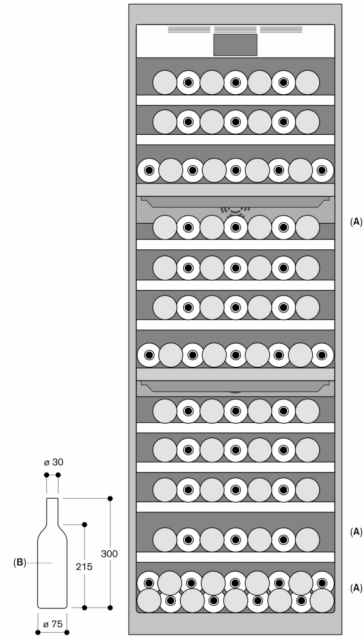


The hinge travel and resulting clearances from adjacent furniture units and handles can be found from the drawing while allowing for the thickness of the front panel. In the drawing, a furniture unit front panel thickness of 19 mm was assumed.



The maximum door panel dimensions are based on a clearance of 3 mm.

Bottle storage

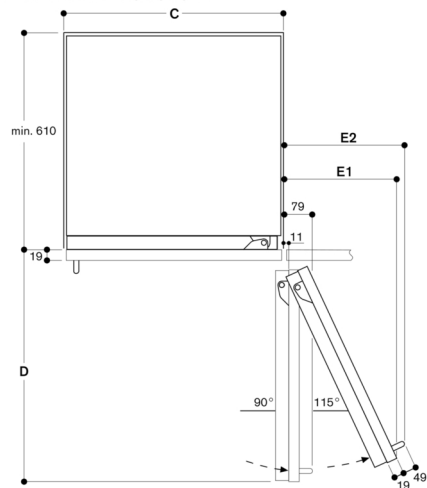


A: Suitable area for storage of magnum bottles in standard tray configuration

B: 0.75 litres

Measurements in mm

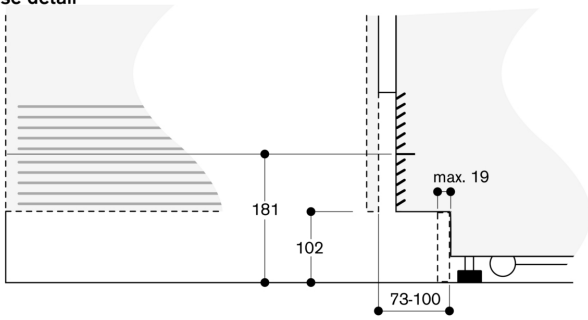
Wall clearance RB 472/RC/RF/RW



Recess width	D	E1	E2	
C	457 mm	525 mm	235 mm	265 mm
	610 mm	677 mm	299 mm	330 mm
	762 mm	830 mm	364 mm	395 mm
	914 mm	980 mm	428 mm	460 mm

In the drawing, a unit front thickness of 19 mm and a Gaggenau unit handle of 49 mm were taken as a basis.

Base detail



Based on the standard appliance height, the height of the plinth is 102 mm. Maximum plinth thickness 19 mm.

