



RY295350
Freestanding fridge-freezer combination 200 series
With fresh cooling 0 °C
Freestanding
Front doors and drawer in anthracite stainless steel
Width 91 cm, height 183 cm



3 climate zones incl. fresh cooling 0 °C
 2 fresh cooling drawer 0 °C with 5 preset temperature settings between -2 °C and +4 °C
 3 symmetrically split glass shelves, height adjustable
 Integrated ice maker with fixed inlet water connection
 Internal water dispenser for chilled water
 5 preset brightness settings for the lighting
 Total volume 573 litres

Handling
 Electronic temperature control with temperature display.
 Touch keys.

Features
 Dynamic cold air distribution.
 Automatic defrosting with defrost water evaporation.
 Open-door and malfunction alarm.
 Child lock.
 Rest mode certified by Star-K.
 Holiday mode.
 Dark anthracite coloured top and side panels outside.
 Activated charcoal filter for water filter system with saturation indicator shown in display.
 Activated charcoal air filter.
 Integrated WiFi module for digital services (Home Connect).
 The availability of the Home Connect functionality depends on the availability of the Home Connect Services in your country. Home Connect Services are not available in every country – for further information please check: www.home-connect.com

Cooling
 Fast cooling.
 Temperature adjustable from +2 °C to +8 °C.
 3 split safety glass shelves, all 6 half shelves with manual height adjustment.
 1 integrated shelf.
 2 large door racks for bottles.
 4 door racks, 2 of which are height adjustable.
 1 full width drawer.
 Internal water dispenser with fixed inlet water connection, integrated in left side wall.
 Glare-free LED lighting (5600 K).
 5 preset brightness settings for the lighting, also via Home Connect.
 Interior stainless steel back wall.
 Volume 335 litres.

Fresh cooling 0 °C
 2 fresh cooling 0 °C drawers.
 5 preset temperature settings between -2 °C and +4 °C combined with humidity setting for fish and meat, fruit, vegetables, beverages, standard.
 Net volume 67 litres.

Freezing
 No-frost technology with fast freezing.
 Temperature adjustable from -16 °C to -24 °C.
 4-star freezer compartment.
 Freezing capacity 15 kg /24 h.

Characteristics
Energy Efficiency Class
 E
Average annual energy consumption in kilowatt hour per year (kWh/a)
 333
Sum of volume of frozen compartments
 171
Sum of volume of chill compartments
 402
Airborne acoustical noise emissions
 39
Airborne acoustical noise emission class
 C
Construction type
 Free-standing
Door panel options
 Not possible
Height
Width of the appliance
 905
Depth of the product
 706
Required niche size for installation (HxWxD)
Net weight
 156.1
Connection rating
 115
Fuse protection
 10
Door hinge
 Other
Voltage
 220-240
Frequency
 50-60
Approval certificates
 CE
Length of electrical supply cord
 240
Storage Period in Event of Power Failure (h)
 18
Number of compressors
 2
Number of independent cooling systems
 2
Interior ventilator
 Yes
Reversible Door Hinge
 No
Number of Adjustable Shelves in fridge compartment (Stck)
 6
Shelves for Bottles
 No
Frost free system
Installation type
 N/A
Type of hinge

Consumption and connection features

created on 2022-08-02
 Page 1

Storage time after a malfunction 18.5 h.
 3 fully extendable drawers.
 Volume 171 litres.

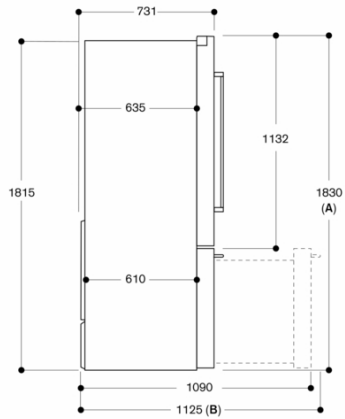
Ice maker
 Integrated in the freezer compartment, with fixed inlet water connection.
 Can be switched off.
 Ice cube production approx. 1.5 kg/24 h.
 Removable ice storage container with approx. 3 kg capacity.

Product rating
 Energy efficiency class E at a range of energy efficiency classes from A to G.
 Energy consumption 333.25 kWh/year. ¹
 Noise level 39 dB (A) re 1 pW.

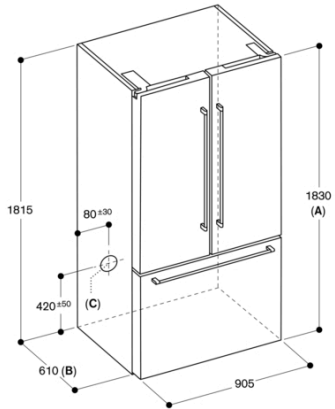
Planning notes
 Door opening angle of 118°, fixable at 90°.
 Wall recess of 25 mm necessary.
 If the water pressure exceeds 0.8 MPa (8 bar), connect pressure relief valve between water tap and hose set.
¹ To achieve the declared energy consumption, the attached spacers have to be used. The spacers increase the appliance depth by about 2.5 cm. Without the spacers, the appliance is fully functional but consumes slightly more energy.

Connection
 Total connected load 0.115 KW.
 Connecting cable 2.4 m with plug.
 Water inlet.
 Supply hose 3.0 m with 3/4 " connection.
 Water pressure 2 to 8 bar.

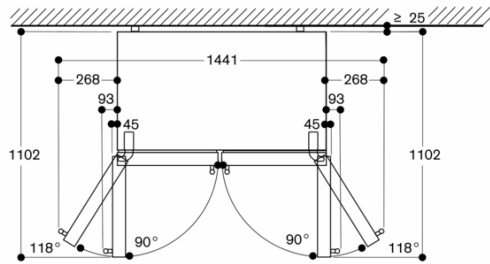
RY295350
Freestanding fridge-freezer combination 200 series
With fresh cooling 0 °C
Freestanding
Front doors and drawer in anthracite stainless steel
Width 91 cm, height 183 cm
 created on 2022-08-02
 Page 2



A: Front is adjustable from 1830 to 1847, with front levelling feet fully extended
B: With handle
 measurements in mm

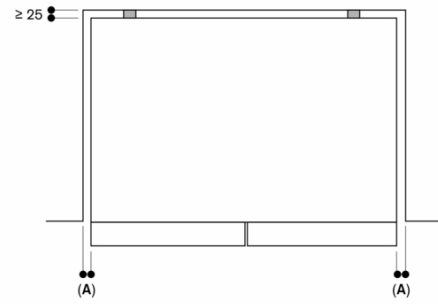


A: Front is adjustable from 1830 to 1847, with front levelling feet fully extended.
B: Add 25 mm for fixed spacers on back
C: Water connection position
 measurements in mm



measurements in mm

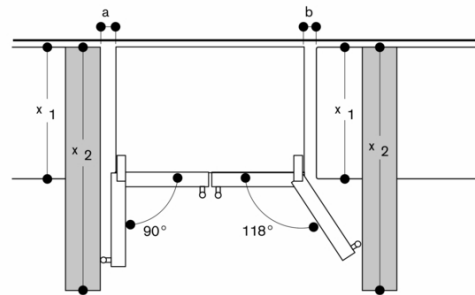
Minimum Clearances



A: ≥ 3.2 mm

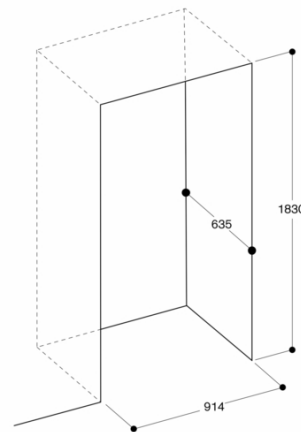
Leave a clearance of min. 12.7 mm above the appliance
 Observe minimum clearances as seen above
 Otherwise the energy consumption of the appliance is higher

Measurements in mm



x ₁ (unit depth)	a	b
600	0	0
650	0	33
700	45	60
x ₂ (wall)	93	266

measurements in mm



If you install the appliance in a niche, adhere to the dimensions shown
 measurements in mm

R Y295350

Freestanding fridge-freezer
combination 200 series

With fresh cooling 0 °C

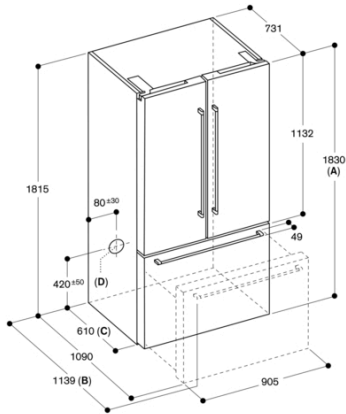
Freestanding

Front doors and drawer in anthracite
stainless steel

Width 91 cm, height 183 cm

created on 2022-08-02

Page 3



A: Front is adjustable from 1830 to 1847, with front levelling feet fully extended.
B: With handle
C: Add 25 mm for fixed spacers on back
D: Water connection position
measurements in mm

