



Color Variants

VG231214
Stainless steel control panel
Width 28 cm

Optional accessories

VD201014
Brushed stainless steel appliance cover
WP400001
Wok pan made of multiple-layer material

Installation Accessories

VV200014
Stainless steel connection strip for combination with further Vario cooktops

VG231214

Vario gas wok 200 series
Stainless steel control panel
Width 28 cm
Natural gas 20 mbar
Wok burner with 6 KW

Can be combined with the cooktops of the Vario 200 series to a harmonic unity.

Generous control panel for comfortable and secure operation. Three-ring burner of solid, heat-resistant brass as used in professional kitchen. Total output up to 6 KW

Cooking zones

1 three-ring wok burner (280 W – 6,000 W), suitable for pots up to max. ø 32 cm.

Handling

One-handed operation. Gas valve with fine control. To close the cover, the pan support can be easily reversed.

Features

Cast pan support. Brass burner rings.

Safety

Thermoelectric safety pilot.

Planning notes

Maximum drawer depth 42 cm. Appliance can be snapped into the worktop from above. A minimum clearance of at least 150 mm from adjacent heat-sensitive furniture or contact surfaces must be observed or thermal insulation fitted. An air extraction hood is necessary when installing several Vario gas cooktops with an overall output of more than 11 kW.

Connection

Total connected load gas 6.0 kW. Total connected load electric 1.0 W. Connecting cable 1.4 m with plug.

Characteristics

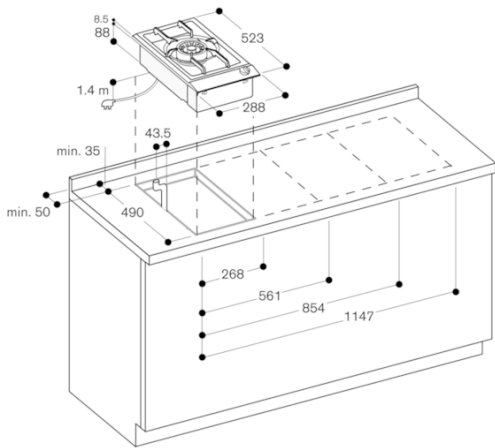
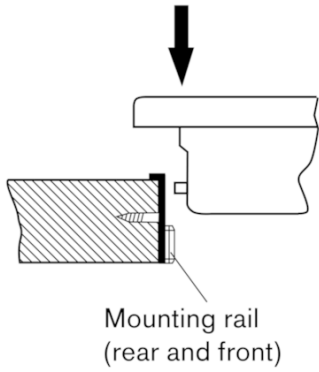
Product name/family
Vario/Domino gas hob w control
Built-in / Free-standing
CONSTR_TYPE.Built-in
Energy input
Gas
Total number of positions that can be used at the same time
1
Required niche size for installation (HxWxD)
88 x 268 x 490
Width of the product (mm)
288
Dimensions of the product (mm)
88 x 288 x 523
Dimensions of the packed product (HxWxD) (mm)
230 x 410 x 600
Net weight (kg)
9.540
Gross weight (kg)
10.8
Residual heat indicator
without
Location of control panel
Hob front
Basic surface material
brushed stainless steel
Color of surface
Stainless steel
Color of frame
Stainless steel
Approval certificates
CE, Eurasian, Ukraine, VDE
Length of electrical supply cord (cm)
140
EAN code
4242006190620

Consumption and connection features

Electrical connection rating (W)
1
Gas connection rating (W)
6000
Current (A)
10
Voltage (V)
220-240
Frequency (Hz)
50; 60

created on 2019-10-29

Page 1



Gas connection

