



#### Color Variants

VG232114  
Stainless steel control panel  
Width 28 cm

#### Optional accessories

VD201014  
Brushed stainless steel appliance cover

#### Installation Accessories

VV200014  
Stainless steel connection strip  
for combination with further Vario  
cooktops

#### VG232114

Vario gas cooktop 200 series  
Stainless steel control panel

Width 28 cm  
liquid gas 50 mbar

Can be combined with the cooktops  
of the Vario 200 series to a harmonic  
unity.

Generous control panel for  
comfortable and secure operation.  
Solid smooth-surface cast pan  
supports for easy and safe  
positioning of cookware.

#### Cooking zones

1 high output burner (560 – 2800 W),  
suitable for pots up to max. ø 22 cm.  
1 standard output burner (380 – 1900  
W), suitable for pots up to max. ø 22  
cm.

#### Handling

One-handed operation.  
Gas valve with fine control.

#### Features

Cast pan support with continuous pot  
surface.  
Enamelled burner cover.

#### Safety

Thermoelectric safety pilot.

#### Planning notes

Maximum drawer depth 42 cm.  
Appliance can be snapped into the  
worktop from above.  
A minimum clearance of at least 150  
mm from adjacent heat-sensitive  
furniture or contact surfaces must be  
observed or thermal insulation fitted.  
With a total connected load of  
more than 12 kW local regulations  
concerning room ventilation, room  
size and combination of extraction or  
recirculation hoods must be observed.  
Minimum clearance between gas  
cooktop(s) with more than 12 kW and  
ventilation hood 70 cm.  
Special nozzles (order 1 of each): Part  
No. 433603 Natural gas 20 mbar Part  
No. 419831 Bottled gas 28-37 mbar Part  
No. 419830 Bottled gas 50 mbar  
Appliance weight: approx. 8 kg.

#### Connection

Total connected load gas 4.7 kW.  
Total connected load electric 1.0 W.  
Connecting cable 1.4 m with plug.

#### Characteristics

Product name/family  
Vario/Domino gas hob w control

Built-in / Free-standing  
CONSTR\_TYPE.Built-in

Energy input  
Gas

Total number of positions that can be  
used at the same time  
2

Required niche size for installation  
(HxWxD)  
55 x 268 x 490

Width of the product (mm)  
288

Dimensions of the product (mm)  
55 x 288 x 523

Dimensions of the packed product  
(HxWxD) (mm)  
180 x 410 x 610

Net weight (kg)  
7.724

Gross weight (kg)  
9.0

Residual heat indicator  
without

Location of control panel  
Hob front

Basic surface material  
brushed stainless steel

Color of surface  
Stainless steel

Color of frame  
Stainless steel

Approval certificates  
CE, Eurasian, VDE

Length of electrical supply cord (cm)  
140

EAN code  
4242006190675

#### Consumption and connection features

Electrical connection rating (W)  
1

Gas connection rating (W)  
4700

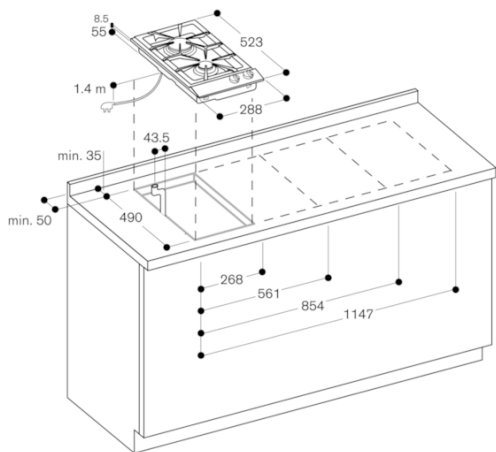
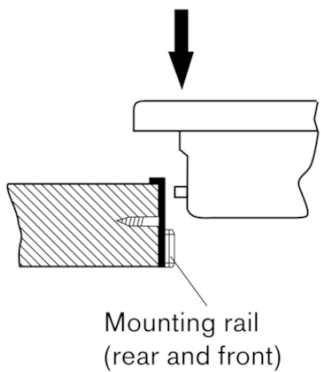
Current (A)  
10

Voltage (V)  
220-240

Frequency (Hz)  
50; 60

created on 2019-05-10

Page 1



### Gas connection

