



#### Color Variants

VG232114F  
Stainless steel control panel  
Width 28 cm

#### Optional accessories

VD201014  
Brushed stainless steel appliance cover

#### Installation Accessories

VV200014  
Stainless steel connection strip  
for combination with further Vario  
cooktops

#### VG232114F

Vario gas cooktop 200 series  
Stainless steel control panel  
Width 28 cm  
Liquid gas 28 - 37 mbar

Can be combined with the cooktops  
of the Vario 200 series to a harmonic  
unity.

Generous control panel for  
comfortable and secure operation.  
Solid smooth-surface cast pan  
supports for easy and safe  
positioning of cookware.

#### Cooking zones

1 high output burner (560 – 2800 W),  
suitable for pots up to max. ø 22 cm.  
1 standard output burner (380 – 1900  
W), suitable for pots up to max. ø 22  
cm.

#### Handling

One-handed operation.  
Gas valve with fine control.

#### Features

Cast pan support with continuous pot  
surface.  
Enamelled burner cover.

#### Safety

Thermoelectric safety pilot.

#### Planning notes

Maximum drawer depth 42 cm.  
Appliance can be snapped into the  
worktop from above.  
A minimum clearance of at least 150  
mm from adjacent heat-sensitive  
furniture or contact surfaces must be  
observed or thermal insulation fitted.  
An air extraction hood is necessary  
when installing several Vario gas  
cooktops with an overall output of more  
than 11 kW.  
Special nozzles (order 1 of each): Part  
No. 433603 Natural gas 20 mbar Part  
No. 419831 Bottled gas 28-37 mbar Part  
No. 419830 Bottled gas 50 mbar

#### Connection

Total connected load gas 4.7 kW.  
Total connected load electric 1.0 W.  
Connecting cable 1.4 m with plug.

#### Characteristics

**Product name/family**  
Vario/Domino gas hob w control

**Built-in / Free-standing**  
CONSTR\_TYPE.Built-in

**Energy input**  
Gas

**Total number of positions that can be  
used at the same time**  
2

**Required niche size for installation  
(HxWxD)**  
55 x 268 x 490

**Width of the product (mm)**  
288

**Dimensions of the product (mm)**  
55 x 288 x 523

**Dimensions of the packed product  
(HxWxD) (mm)**  
180 x 410 x 610

**Net weight (kg)**  
8.108

**Gross weight (kg)**  
9.2

**Residual heat indicator**  
without

**Location of control panel**  
Hob front

**Basic surface material**  
brushed stainless steel

**Color of surface**  
Stainless steel

**Color of frame**  
Stainless steel

**Approval certificates**  
CE, Eurasian, G-Mark, VDE

**Length of electrical supply cord (cm)**  
140

**EAN code**  
4242006190682

#### Consumption and connection features

**Electrical connection rating (W)**  
1

**Gas connection rating (W)**  
4700

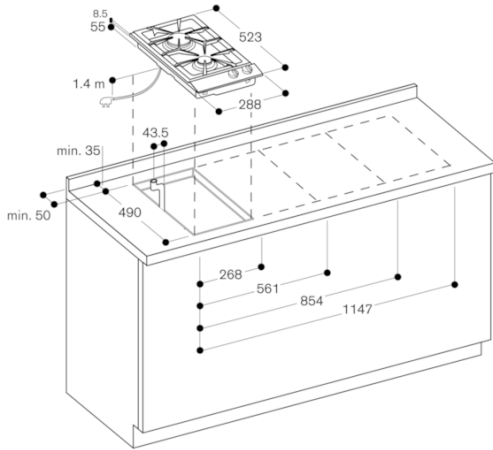
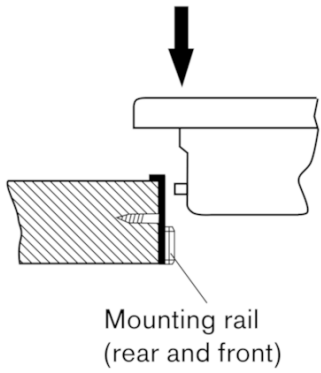
**Current (A)**  
10

**Voltage (V)**  
220-240

**Frequency (Hz)**  
50; 60

created on 2019-10-29

Page 1



Gas connection

