



Color Variants

VG232214
Stainless steel control panel
Width 28 cm

Optional accessories

VD201014
Brushed stainless steel appliance cover

Installation Accessories

VV200014
Stainless steel connection strip
for combination with further Vario
cooktops

VG232214

Vario gas cooktop 200 series
Stainless steel control panel
Width 28 cm
Natural gas 20 mbar

Can be combined with the cooktops
of the Vario 200 series to a harmonic
unity.

Generous control panel for
comfortable and secure operation.
Solid smooth-surface cast pan
supports for easy and safe
positioning of cookware.

Cooking zones

1 high output burner (560 – 2800 W),
suitable for pots up to max. ø 22 cm.
1 standard output burner (380 – 1900
W), suitable for pots up to max. ø 22
cm.

Handling

One-handed operation.
Gas valve with fine control.

Features

Cast pan support with continuous pot
surface.
Enamelled burner cover.

Safety

Thermoelectric safety pilot.

Planning notes

Maximum drawer depth 42 cm.
Appliance can be snapped into the
worktop from above.
A minimum clearance of at least 150
mm from adjacent heat-sensitive
furniture or contact surfaces must be
observed or thermal insulation fitted.
An air extraction hood is necessary
when installing several Vario gas
cooktops with an overall output of more
than 11 kW.
Special nozzles (order 1 of each): Part
No. 433603 Natural gas 20 mbar Part
No. 419831 Bottled gas 28-37 mbar Part
No. 419830 Bottled gas 50 mbar

Connection

Total connected load gas 4.7 kW.
Total connected load electric 1.0 W.
Connecting cable 1.4 m with plug.

Characteristics

Product name/family
Vario/Domino gas hob w control

Built-in / Free-standing
CONSTR_TYPE.Built-in

Energy input
Gas

**Total number of positions that can be
used at the same time**
2

**Required niche size for installation
(HxWxD)**
55 x 268 x 490

Width of the product (mm)
288

Dimensions of the product (mm)
55 x 288 x 523

**Dimensions of the packed product
(HxWxD) (mm)**
180 x 410 x 610

Net weight (kg)
8.768

Gross weight (kg)
9.8

Residual heat indicator
without

Location of control panel
Hob front

Basic surface material
brushed stainless steel

Color of surface
Stainless steel

Color of frame
Stainless steel

Approval certificates
CE, Eurasian, Ukraine, VDE

Length of electrical supply cord (cm)
140

EAN code
4242006190712

Consumption and connection features

Electrical connection rating (W)
1

Gas connection rating (W)
4700

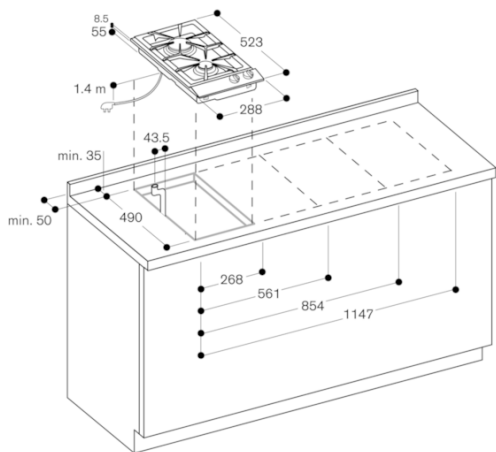
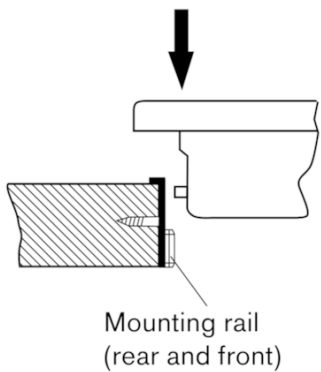
Current (A)
10

Voltage (V)
220-240

Frequency (Hz)
60; 50

created on 2019-10-29

Page 1



Gas connection

