



VG295150F
200 series gas cooktop
Width 90 cm
Liquid gas 28 - 37 mbar
Wok burner with 5.8 KW

Control panel for comfortable and secure operation
 Mechanical power level regulation for 9 power levels, with exact setting and reproduction of flame size
 Multi-ring burner of solid, heat-resistant brass as used in professional kitchen
 Solid smooth-surface cast pan supports
 Top appliance in the market, 17.8 kW on 5 burners

Cooking zones

1 multi-ring wok burner (300 W – 5800 W), suitable for pots up to max. ø 32 cm.
 2 two-ring high output burners (170 W – 4000 W), suitable for pots up to max. ø 28 cm.
 2 two-ring standard burners (170 W – 2000 W), suitable for pots up to max. ø 28 cm.

Handling

Control knobs with illuminated ring.
 Integrated control panel.
 One-handed operation.
 Electric ignition.

Features

Three-part cast pan support with flat, continuous pot surface.
 Brass burner rings.

Safety

Thermoelectric safety pilot.
 Residual heat indication.
 Operation indicator.

Planning notes

No intermediate shelf required.
 Appliance can be snapped into the worktop from above.
 Rear panel and wall trims must be heat-resistant and consist of a non-flammable material.
 Installation in a 90 cm wide lower cabinet is required.
 A minimum lateral clearance of at least 300 mm from adjacent heat-sensitive furniture or contact surfaces must be observed or thermal insulation fitted.
 With a total connected load of more than 11 kW local regulations concerning room ventilation, room size and combination of extraction or recirculation hoods must be observed.
 The minimum distance between the cooktop surface and a cabinet above, out of combustible material, needs to be 76 cm.
 The minimum distance to a ventilation above is shown at the planning hints for the individual ventilation product.
 Appliance weight: approx. 29.

Connection

Total connected load gas 17.8 KW.
 Total connected load electric 10.0 W.
 Connecting cable 1.5 m with plug.

Characteristics

Product name/family
 gas hob w integrated controls

Product name/family
 gas hob w integrated controls

Construction type
 Built-in

Construction type
 Built-in

Energy input
 Gas

Energy input
 Gas

Total number of positions that can be used at the same time
 5

Total number of positions that can be used at the same time
 5

Min. required niche size for installation (HxWxD)
 106 x 885 x 492

Min. required niche size for installation (HxWxD)
 106 x 885 x 492

Width of the appliance
 914

Width of the appliance
 914

Dimensions
 132 x 914 x 510

Dimensions
 132 x 914 x 510

Dimensions of the packed product (HxWxD)
 290 x 700 x 1020

Dimensions of the packed product (HxWxD)
 290 x 700 x 1020

Net weight
 29.5

Net weight
 29.5

Gross weight
 31.8

Gross weight
 31.8

Residual heat indicator
 Separate

Residual heat indicator
 Separate

Location of control panel
 Hob front

Location of control panel
 Hob front

Basic surface material
 brushed stainless steel

Basic surface material
 brushed stainless steel

Color of surface
 Stainless steel

Color of surface
 Stainless steel

Color of frame
 Stainless steel

Color of frame
 Stainless steel

Length of electrical supply cord
 150

Length of electrical supply cord
 150

EAN code
 4242006294397

EAN code
 4242006294397

Electrical connection rating

Electrical connection rating

Gas connection rating
 17800

Gas connection rating
 17800

Fuse protection
 10

Fuse protection
 10

Voltage
 220-240

Voltage
 220-240

Frequency
 50-60

Frequency
 50-60

Color Variants

VG295150F
Width 90 cm
Liquid gas 28 - 37 mbar

Included accessories

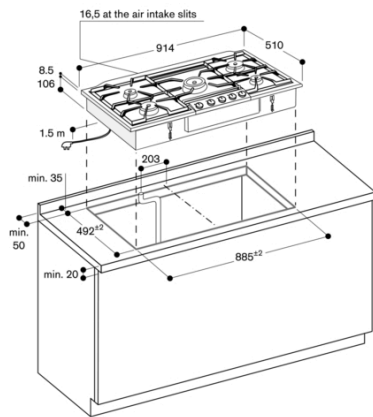
1 x WOK attachment ring.

Optional accessories

WP400001
Wok pan made of multiple-layer material

VG295150F
200 series gas cooktop
Width 90 cm
Liquid gas 28 - 37 mbar
Wok burner with 5.8 KW

created on 2023-01-17
Page 2



Minimum distance from the appliance cut-out to the side wall 300 mm.

Gas connection

