



VI262120

CA051300:

Teppan Yaki (large)

CA052300:

Griddle Plate

VV200010:

Connecting strip series 200 ss

VV200020:

Connecting strip series 200 black

Vario Flex induction cooktop 200 series 60 cm

VI262120

- Flex function for combining the rectangular cooking areas
- Free positioning of cookware
- Can be combined with the cooktops of the Vario 200 series to a harmonic unity.

Control panel for comfortable and secure operation

Cooking zones

2 flex induction cooking areas 23x19 cm (2200 W, with booster 3700 W), linked together 23x38 cm (3300 W, with booster 3700 W).

2 flex induction cooking areas 23x19 cm (2200 W, with booster 3700 W), linked together 23x38 cm (3300 W, with booster 3700 W).

Handling

Control knobs with illuminated ring.

Integrated control panel.

Electronic power control in Variable 9-stage power settings for each zone.

Features

Cooking area marking.

Flex function for rectangular cooking areas.

Frying sensor function.

Pot detection.

Booster function for each cooking area.

Safety

Residual heat indication.

Operation indicator.

Safety shut-off.

Planning notes

Operates with magnetic (induction) iron pots and pans only. For an optimal heat distribution, the use of sandwich bottom cookware is recommended.

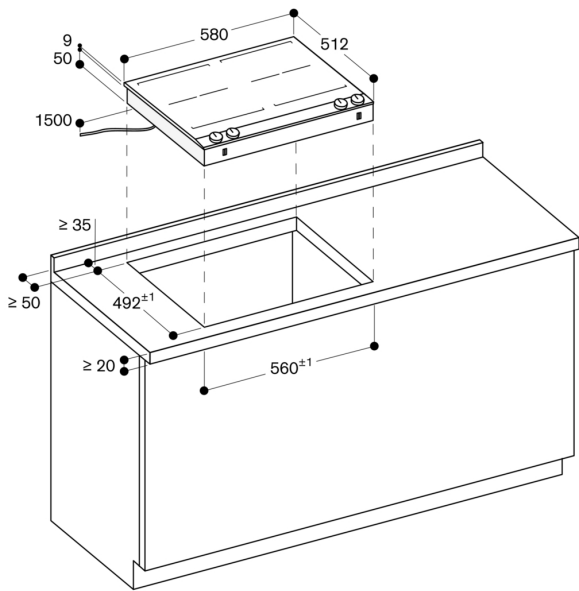
Appliance can be snapped into the worktop from above.

Appliance weight: approx. 15.

Connection

Total connected load 7.4 KW.

Connecting cable 1.50 m without plug.



measurements in mm