



VI414111

Optional accessories

GP900004:

System pan diameter 28 cm

WP400001:

Wok pan

WZ400001:

Wok ring

Installation Accessories

VA420000:

Connecting strip Serie 400, flush, short

VA420010:

Connecting strip Serie 400, top, short

Vario steamer 400 series

38 cm

VI414111

– Solid stainless steel knob, also in black robust finishing, for precise control and personalisation

– 32 cm cooking zone with booster function

Ideal for the original wok pan with round bottom, with wok ring

Frying sensor function for temperature control in pans

Easy control of all functions with two color displays

Solid stainless steel control knob

Precision crafting of 3 mm stainless steel

For surface installation with a visible edge or for flush installation

Can be combined perfectly with other Vario appliances of the 400 series

Cooking zones

1 induction cooking zone \varnothing 21 cm (2200 W, with booster 3700 W), automatically switches to \varnothing 26 cm (2600 W, with booster 3700 W) and to \varnothing 32 cm (3300 W, with booster 3700 W).

Handling

Control knobs with illuminated ring, cooking zone and output level markings.

Electronic power control in 12 stage (1...12).

User friendly control with two color display (white / orange).

Features

Frying sensor function.

Booster function.

Stopwatch.

Short-term timer.

Options menu.

Safety

Residual heat indication.

Safety shut-off.

Planning notes

Depending on the type of installation (surface-mounted or flush-mounted), the specific location of the cut-out and the knob positions may vary.

The drawing "Installation of the control knob" must be observed if the panel is more than 23 mm thick (there must be a recess at the rear).

If combining several Vario appliances of the 400 series, a connection strip VA 420 must be placed between the appliances. Depending on the type of installation, the corresponding connection strip must be provided.

The bearing capacity and stability, in the case of thin worktops in particular, must be supported using suitable substructures. Take into account the appliance weight and additional loads.

Additional instructions for flush installation:

Installation is possible in worktops made of stone, synthetics or solid wood. Heat resistance and watertight sealing of the cut edges must be observed. Concerning other materials please consult the worktop manufacturer.

The groove must be continuous and even, so that uniform placing of the appliance on the gasket is ensured. Do not use discontinuous lining.

The joint width may vary due to size tolerances of the combinations and of the worktop cut-out.

If installing several appliances in individual cut-outs allow for a division bar of minimum 50 mm between the individual cut-outs.

Operates with magnetic (induction) iron pots and pans only. For an optimal heat distribution, the use of sandwich bottom cookware is recommended.

Appliance can be snapped into the worktop from above.

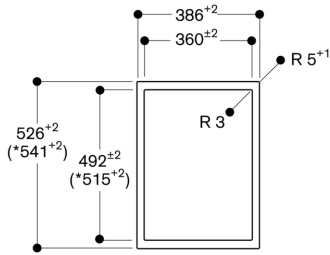
Appliance weight: approx. 10.

Connection

Total connected load 3.7 KW.

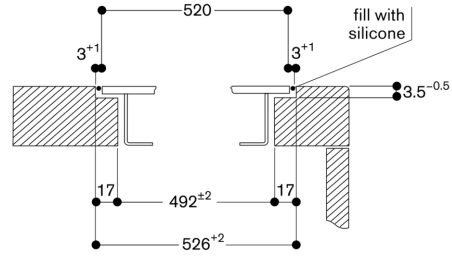
Connecting cable 1.5 m without plug.

View from above



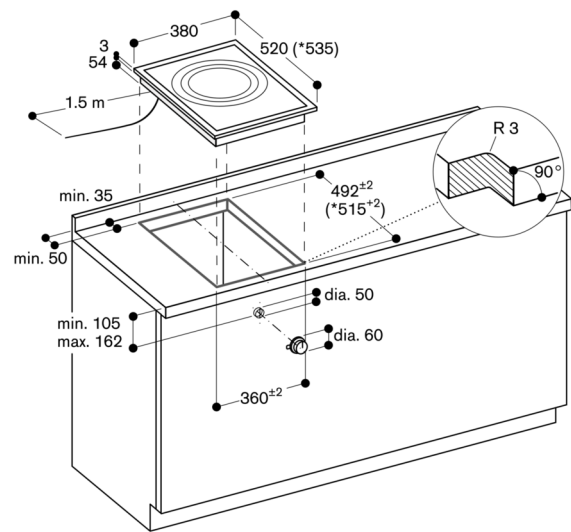
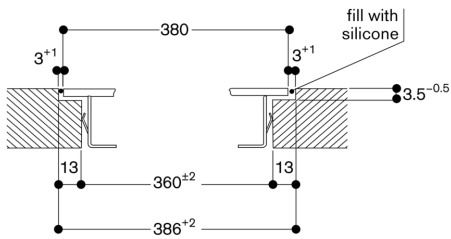
* with appliance cover or filler strip
(observe the front and rear asymmetrical support, see separate notes "Installation with appliance cover/filler strip").

Cross-section



When installing with appliance cover or filler strip, pay attention to the deeper cut-out and the front and rear groove width.

Longitudinal section



* with filler strip
See separate planning notes.

