



#### Color Variants

VI422111

Stainless steel frame

Width 38 cm

#### Optional accessories

GP900001

Stainless steel frying sensor pan

GP900002

Stainless steel frying sensor pan

GP900003

Stainless steel frying sensor pan

#### Installation Accessories

VA420000

Connection strip for combination with other Vario appliances of the 400 series for flush installation

VA420010

Connection strip for combination with other Vario appliances of the 400 series for surface installation

VI422111

Vario flex induction cooktop 400 series

Stainless steel frame

Width 38 cm

Flex function for combining the rectangular cooking areas  
Free positioning of cookware inside combined cooking areas  
Frying sensor function for temperature control in pans  
Easy control of all functions with two color displays  
Solid stainless steel control knob  
Precision crafting of 3 mm stainless steel  
For surface installation with a visible edge or for flush installation  
Can be combined perfectly with other Vario appliances of the 400 series

#### Cooking zones

#### Handling

Control knobs with illuminated ring, cooking zone and output level markings.  
Electronic power control in 12 stage (1...12).  
User friendly control with two color display (white / orange).

#### Features

Flex function for rectangular cooking areas.  
Frying sensor function.  
Booster function.  
Stopwatch.  
Short-term timer.  
Options menu.

#### Safety

Individual residual heat indicators.  
Safety shut-off.

#### Planning notes

Depending on the type of installation (surface-mounted or flush-mounted), the specific location of the cut-out and the knob positions may vary.  
The horizontal positioning of the knobs may be aligned with the specific cooking areas.  
If combining several Vario appliances of the 400 series, a connection strip VA 420 must be placed between the appliances. Depending on the type of installation, the corresponding connection strip must be provided.  
The bearing capacity and stability, in the case of thin worktops in particular, must be supported using suitable substructures. Take into account the appliance weight and additional loads.  
Additional instructions for flush installation:  
Installation is possible in worktops made of stone, synthetics or solid wood. Heat resistance and watertight sealing of the cut edges must be observed. Concerning other materials please consult the worktop manufacturer.  
The groove must be continuous and even, so that uniform placing of the appliance on the gasket is ensured. Do not use discontinuous lining.  
The joint width may vary due to size tolerances of the combinations and of the worktop cut-out.  
If installing several appliances in individual cut-outs allow for a division bar of minimum 50 mm between the individual cut-outs.  
Operates with magnetic (induction) iron pots and pans only. For an optimal heat distribution, the use of sandwich bottom cookware is recommended.

#### Characteristics

Product name/family

Vario/Domino cooking zone cera

Construction type

Built-in

Energy input

Electric

Total number of positions that can be used at the same time

2

Required niche size for installation (HxWxD)

57 x 360 x 490-500

Width of the appliance

380

Dimensions

57 x 380 x 520

Dimensions of the packed product (HxWxD) (mm)

120 x 580 x 600

Net weight (kg)

10.198

Gross weight (kg)

11.2

Residual heat indicator

Location of control panel

External control

Basic surface material

Ceramic

Color of surface

Black, Stainless steel

Color of frame

Stainless steel

Approval certificates

AENOR, CE

Length of electrical supply cord (cm)

150

EAN code

4242006261146

Electrical connection rating (W)

3700

Gas connection rating (W)

Current (A)

Voltage (V)

220-240

Frequency (Hz)

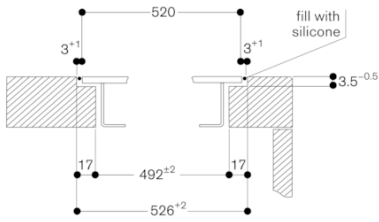
50; 60

#### Consumption and connection features

created on 2021-02-25

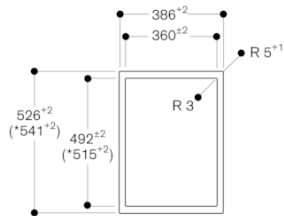
Page 1

**Cross-section**



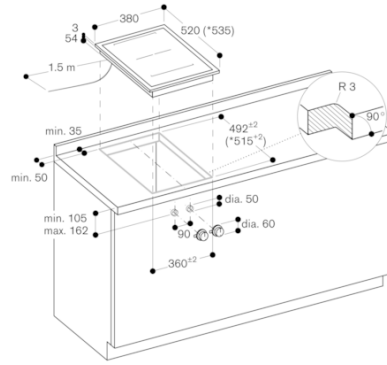
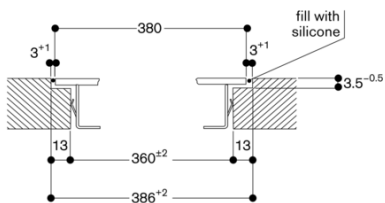
When installing with appliance cover or filler strip, pay attention to the deeper cut-out and the front and rear groove width.

**View from above**

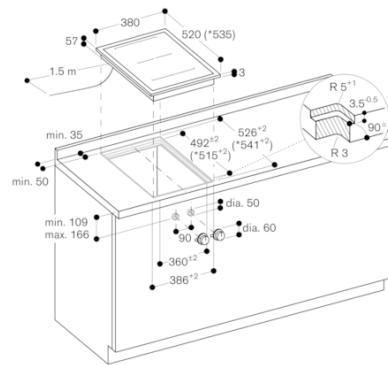


\* with appliance cover or filler strip (observe the front and rear asymmetrical support, see separate notes "Installation with appliance cover/filler strip").

**Longitudinal section**

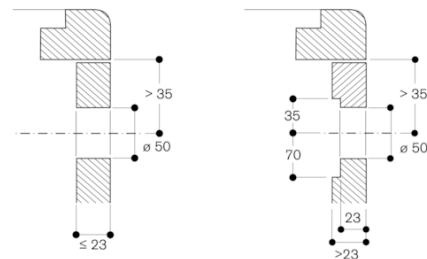


\* with filler strip  
 See separate planning notes.



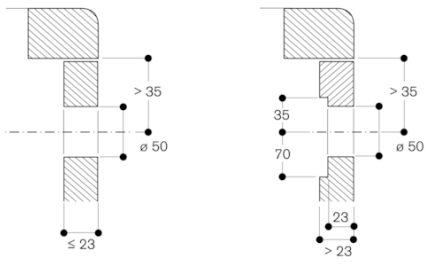
\* with filler strip  
 See separate planning notes.

**Installation of the control knob; flush installation**



measurements in mm

Installation of the control knob; surface mounting



measurements in mm