



VI482113
Vario flex induction cooktop 400 series
Stainless steel frame
Width 80 cm

Flex function for combining the rectangular cooking areas
 Free positioning of cookware inside combined cooking areas with automatic extension up to 32 cm width
 Frying sensor function for temperature control in pans
 Easy control of all functions with two color displays
 Solid stainless steel control knob
 Precision crafting of 3 mm stainless steel
 For surface installation with a visible edge or for flush installation
 Can be combined perfectly with other Vario appliances of the 400 series

Cooking zones

2 flex induction cooking areas with each 19x23 cm (2200 W, with booster 3700 W), linked together 38x23 cm (3300 W, with booster 3700 W), with automatic extension up to 30x32 cm (3300 W, with booster 3700 W).
 2 flex induction cooking areas 23x19 cm (2200 W, with booster 3700 W), linked together 23x38 cm (3300 W, with booster 3700 W), with automatic extension up to 32x30 cm (3300 W, with booster 3700 W).

Handling

Control knobs with illuminated ring, cooking zone and output level markings.
 Electronic power control in 12 stage (1...12).
 User friendly control with two color display (white / orange).

Features

Flex function for rectangular cooking areas.
 Frying sensor function.
 Booster function.
 Stopwatch.
 Short-term timer.
 Options menu.
 Power management.
 Cooktop-based ventilation control (with suitable hood).
 Integrated WiFi module for digital services (Home Connect).
 The availability of the Home Connect functionality depends on the availability of the Home Connect Services in your country. Home Connect Services are not available in every country – for further information please check: www.home-connect.com

Safety

Operation indicator.
 Pot detection.
 2 stage Hh residual heat indicator for each zone
 Safety shut-off.

Planning notes

Depending on the type of installation (surface-mounted or flush-mounted), the specific location of the cut-out and the knob positions may vary.
 The horizontal positioning of the knobs may be aligned with the specific cooking areas.
 The drawing "Installation of the control knob" must be observed if the panel is more than 23 mm thick (there must be a recess at the rear).

Characteristics

Product name/family
 Cooking zone ceramic

Construction type
 Built-in

Energy input
 Electric

Total number of positions that can be used at the same time
 4

Type of control setting devices
Min. required niche size for installation (HxWxD)
 57 x 783-785 x 491-493

Width of the appliance
 804

Dimensions
 57 x 804 x 520

Dimensions of the packed product (HxWxD)
 130 x 1070 x 610

Net weight
 19.8

Gross weight
 21.8

Residual heat indicator
 Separate

Location of control panel
 External control

Type of external control possibility
Basic surface material
 Ceramic

Color of surface
 Black, Stainless steel

Color of frame
 Stainless steel

Length of electrical supply cord
 150

EAN code
 4242006285128

Electrical connection rating
 7400

Gas connection rating

Fuse protection
 2* 16

Voltage
 220-240

Frequency
 50; 60

Consumption and connection features

created on 2022-12-06
 Page 1

If combining several Vario appliances of the 400 series, a connection strip VA 420 must be placed between the appliances. Depending on the type of installation, the corresponding connection strip must be provided.
 The bearing capacity and stability, in the case of thin worktops in particular, must be supported using suitable substructures. Take into account the appliance weight and additional loads. Additional instructions for flush installation:

Installation is possible in worktops made of stone, synthetics or solid wood. Heat resistance and watertight sealing of the cut edges must be observed. Concerning other materials please consult the worktop manufacturer.
 The groove must be continuous and even, so that uniform placing of the appliance on the gasket is ensured. Do not use discontinuous lining.
 The joint width may vary due to size tolerances of the combinations and of the worktop cut-out.
 If installing several appliances in individual cut-outs allow for a division bar of minimum 50 mm between the individual cut-outs.

Operates with magnetic (induction) iron pots and pans only. For an optimal heat distribution, the use of sandwich bottom cookware is recommended.
 The wok pan WP 400 001 cannot be used with this appliance.
 Appliance can be snapped into the worktop from above.
 Appliance weight: approx. 20.

Connection

Total connected load 7.4 KW.
 Connecting cable 1.5 m without plug.
 Power consumption standby/display off 0.5 W.
 Power consumption standby/network 1.7 W.
 Please check the user manual for how to switch off the WiFi module.

Color Variants

VI482113
Stainless steel frame
Width 80 cm

Optional accessories

CA051300
Teppan Yaki plate made of multi ply material

CA052300
Griddle plate in cast aluminium

GP900001
Stainless steel frying sensor pan

GP900002
Stainless steel frying sensor pan

GP900003
Stainless steel frying sensor pan

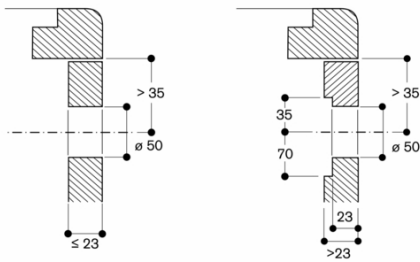
GP900004
Stainless steel frying sensor pan

Installation Accessories

VA420004
Connection strip for combination with other Vario appliances of the 400 series for flush installation

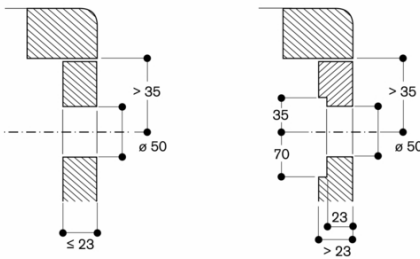
VA420010
Connection strip for combination with other Vario appliances of the 400 series for surface installation

Installation of the control knob; flush installation

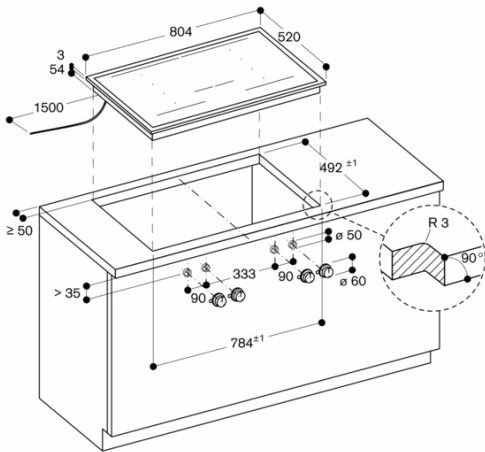


measurements in mm

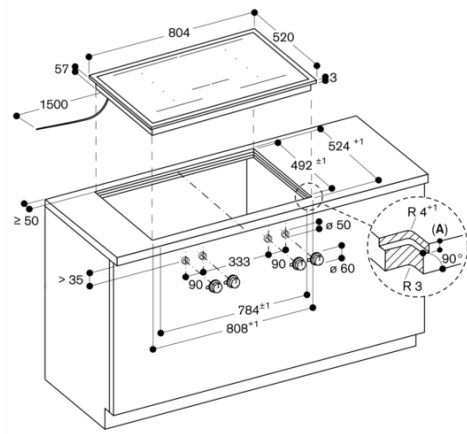
Installation of the control knob; surface mounting



measurements in mm

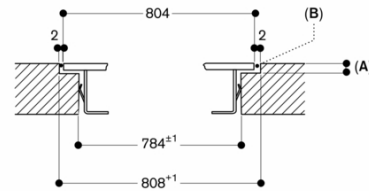


measurements in mm



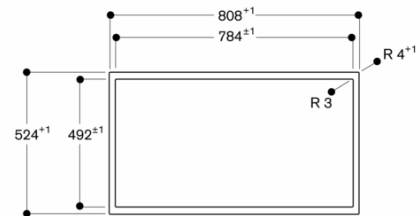
A: $3.5^{0.5}$
 measurements in mm

Longitudinal section



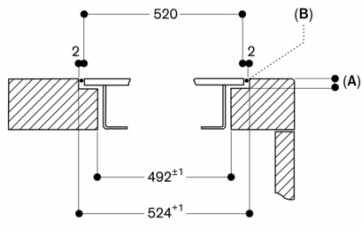
A: $3.5^{0.5}$
 B: Fill with silicone
 measurements in mm

View from above



measurements in mm

Cross-section



A: $3.5^{0.5}$
B: Fill with silicone
measurements in mm