



VI492105

Optional accessories

CA052300:

Griddle Plate

GP900001:

System pan diameter 15 cm

GP900002:

System pan diameter 19 cm

CA051300:

Teppan Yaki (large)

GP900003:

Frying sensor pan Ø 21 cm

GP900004:

System pan diameter 28 cm

WP400001:

Wok pan

WZ400000:

Wok ring

Installation Accessories

CKI450000:

5 knobs, induction, black

CKI450010:

5 knobs, induction, stainless steel

VA420004:

Connecting strip Serie 400, flush, short

Flex induction cooktop 400 series

90 cm

VI492105

- Solid stainless steel knob, also in black robust finishing, for precise control and personalisation
- Free positioning of cookware option is allowing all the chefs to effortlessly move and rearrange their pots and pans across the induction cooktop, providing unparalleled flexibility.
- Flex function for combining the rectangular cooking areas
- Frameless for flush mounting
- Home Connect
- Flex function for combining the rectangular cooking areas

Free positioning of cookware inside combined cooking areas

Large cooking zone for pots up to ø 32 cm

Ideal for the original wok pan with round bottom, with wok ring

Frameless for flush installation

Can be combined perfectly with other Vario appliances of the 400 series

Cooking zones

2 flex induction cooking areas 23x20 cm (2200 W, with booster 3700 W), linked together 23x40 cm (3300 W, with booster 3700 W).

2 flex induction cooking areas 20x23 cm (2200 W, with booster 3700 W), linked together 40x23 cm (3300 W, with booster 3700 W).

1 induction cooking zone ø 21 cm (2200 W, with booster 3700 W), automatically switches to ø 26 cm (2600 W, with booster 3700 W) and to ø 32 cm (3300 W, with booster 3700 W).

Handling

Control knobs with illuminated ring, cooking zone and output level markings.

Electronic power control in 12 stage (1...12).

User friendly control with two color display (white / orange).

Features

Flex function for rectangular cooking areas.

Frying sensor function.

Booster function.

Stopwatch.

Short-term timer.

Options menu.

Power management.

Selected digital services (Home Connect)

Cooktop-based ventilation control (with suitable hood).

Remote monitoring.

Remote diagnostics.

Integrated WiFi module for digital services (Home Connect).

The availability of the Home Connect functionality depends on the availability of the Home Connect Services in your country. Home Connect Services are not available in every country – for further information please check: www.home-connect.com

Safety

Operation indicator.

Pot detection.

2 stage Hh residual heat indicator for each zone
Safety shut-off.

Planning notes

The horizontal positioning of the knobs may be aligned with the specific cooking areas.

The drawing "Installation of the control knob" must be observed if the panel is more than 23 mm thick (there must be a recess at the rear).

The bearing capacity and stability, in the case of thin worktops in particular, must be supported using suitable substructures. Take into account the appliance weight and additional loads.

Installation is possible in worktops made of stone, synthetics or solid wood. Heat resistance and watertight sealing of the cut edges must be observed. Concerning other materials please consult the worktop manufacturer.

The groove must be continuous and even, so that uniform placing of the appliance on the gasket is ensured. Do not use discontinuous lining.

The joint width may vary due to size tolerances of the combinations and of the worktop cut-out.

If installing several appliances in individual cut-outs allow for a division bar of minimum 50 mm between the individual cut-outs.

Operates with magnetic (induction) iron pots and pans only. For an optimal heat distribution, the use of sandwich bottom cookware is recommended.

Appliance can be snapped into the worktop from above.

Appliance weight: approx. 23.

Connection

Total connected load 11.1 KW.

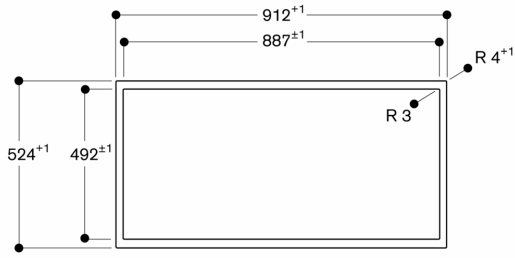
Connecting cable 1.5 m without plug.

Power consumption standby/display off 0.5 W.

Power consumption standby/network 1.9 W.

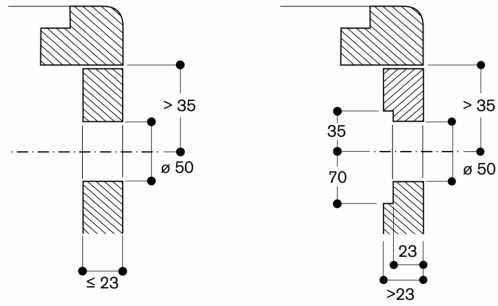
Please check the user manual for how to switch off the WiFi module.

View from above



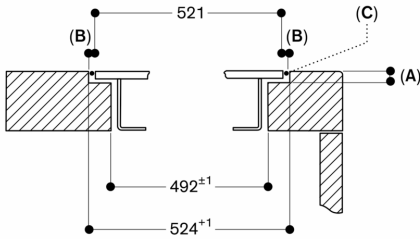
measurements in mm

Installation of the control knob; flush installation



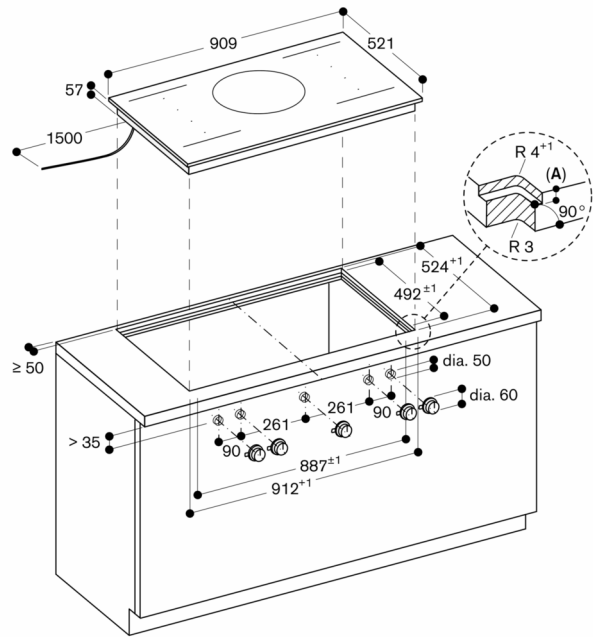
measurements in mm

Cross-section



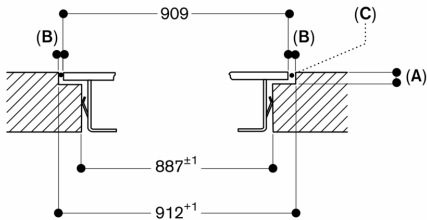
- A: $6.5^{+0.5}$
- B: 1.5
- C: Fill with silicone

measurements in mm



A: $6.5^{+0.5}$
measurements in mm

Longitudinal section



- A: $6.5^{+0.5}$
- B: 1.5
- C: Fill with silicone

measurements in mm