



VP230120

2 x spatula

VD200020:

Black cover series 200

VV200010:

Connecting strip series 200 ss

VV200020:

Connecting strip series 200 black

Vario Teppan Yaki 200 series

28 cm

VP230120

Can be combined with the cooktops of the Vario 200 series to a harmonic unity.

Control panel for comfortable and secure operation

Cooking directly on the metal surface, without any pots or pans

Exact temperature control up to 240 °C

Keeping warm setting.

Cooking zones

Useable area: 844 cm².

Handling

Control knobs with illuminated ring.

Integrated control panel.

Electronic temperature control from 140 °C to 240 °C.

Features

Heating element with 1800 W.

Keeping warm setting.

Cleaning stage.

Stainless steel frame seamlessly welded with the stainless steel surface.

Safety

Pre-heat and residual heat indicator.

Operation indicator.

Safety shut-off.

Planning notes

The distance from the upper edge of the work surface to the upper edge of the intermediate shelf must be at least 150 mm.

Appliance can be snapped into the worktop from above.

A minimum lateral clearance of at least 30 mm from adjacent heat-sensitive furniture or contact surfaces must be observed or thermal insulation fitted.

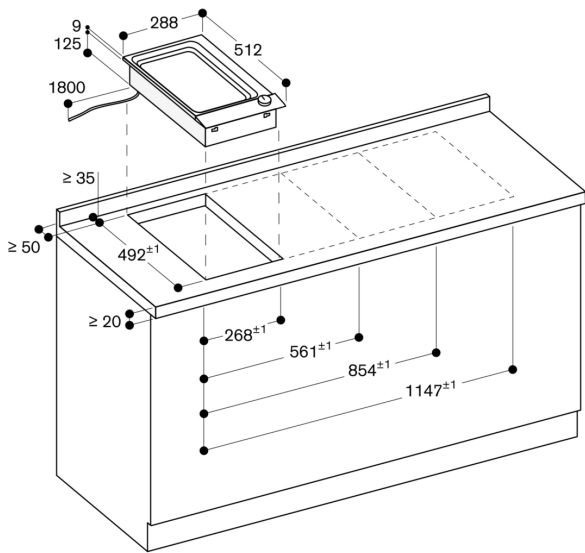
Intermediate shelf required; after installation, this shelf must only be removed using tools to guarantee the touch protection from below.

Appliance weight: approx. 9.

Connection

Total connected load 1.8 KW.

Connecting cable 1.80 m without plug.



measurements in mm