



Color Variants

VR414110
Stainless steel
Width 38 cm

Included accessories

1 x cast pan,
half size.
1 x grease drip tray.
2 x cast iron grill.
1 x lava stones.
1 x cleaning brush.

Optional accessories

LV030000
Lava stones for refilling

Installation Accessories

VA420010
Connection strip for combination with
other Vario appliances of the 400 series
for surface installation
VA440010
Stainless steel appliance cover with
mounting strip

VR414110
Vario electric grill 400 series
Stainless steel
Width 38 cm

2 separately controlled zones
Cast pan, half size, for simultaneous
frying and grilling on two separate
surfaces
Open cast grill, lava stones
Solid stainless steel control knob
Precision crafting of 3 mm stainless
steel
For surface installation with a visible
edge or for flush installation
Can be combined perfectly with other
Vario appliances of the 400 series

Handling

Control knobs with illuminated
ring, cooking zone and output level
markings.
Electronic control in 12 output levels.

Features

Cooktop, lava stone trough and grease
collecting insert from stainless steel.
2 independently controlled grilling
elements (1500 W).
Two-part cast grill.

Safety

Safety shut-off.

Planning notes

Depending on the type of installation
(surface-mounted or flush-mounted,
with or without an appliance cover), the
specific location of the cut-out and the
knob positions may vary.
If installing with the appliance cover
VA 440 or adjustment strip VA 450
take into account the additional space
required for the depth.
If combining several appliances with
at least one appliance cover, the
adjustment strip VA 450 is required to
compensate for the depth of the
appliance without the appliance cover.
If combining several Vario appliances
of the 400 series, a connection strip
VA 420 must be placed between the
appliances. Depending on the type
of installation, the corresponding
connection strip must be provided.
In the cut-out, the installation system
requires the side edge to be at least 10
mm for surface installation and at least
13 mm for flush installation. Ensure a
continuous cut surface of 90°.
The bearing capacity and stability, in
the case of thin worktops in particular,
must be supported using suitable
substructures. Take into account the
appliance weight and additional loads.
Additional instructions for flush
installation:
Installation is possible in worktops
made of stone, synthetics or solid
wood. Heat resistance and watertight
sealing of the cut edges must
be observed. Concerning other
materials please consult the worktop
manufacturer.
The groove must be continuous and
even, so that uniform placing of the
appliance on the gasket is ensured. Do
not use discontinuous lining.
The joint width may vary due to size
tolerances of the combinations and of
the worktop cut-out.
If installing several appliances in
individual cut-outs allow for a division
bar of minimum 50 mm between the
individual cut-outs.
Built-in control panel to be integrated in
the bottom cabinet at drawer level.

Characteristics

Product name/family
Vario/Domino barbecue grill
Construction type
Built-in
Energy input
Electric
Type of control
Electronic
Grill grating material
Cast iron

Required niche size for installation
(HxWxD)

105 x 360 x 492

Width of the appliance
380

Dimensions
105 x 380 x 520

Dimensions of the packed product
(HxWxD)

350 x 435 x 580

Net weight
26.456

Gross weight
28.5

Residual heat indicator
Separate

Location of control panel
Hob front

Basic surface material
Cast iron

Color of surface
Stainless steel, Stainless steel

Color of frame
Stainless steel

Approval certificates
Australia Standards, CCC, CE, China,
China ROHS 20, Eurasian, G-Mark,
Ukraine, VDE

Length of electrical supply cord

EAN code
4242006213534

Electrical connection rating
3000

Gas connection rating

Fuse protection
16

Voltage
220-240

Frequency
60; 50

Consumption and connection features

created on 2021-12-03
Page 1

Panel thickness 16 – 26 mm.

The drawing "Installation of the control
knob" must be observed if the panel is
more than 26 mm thick (there must be
a recess at the rear).

A minimum lateral clearance of at least
100 mm from adjacent heat-sensitive
furniture or from the wall must be
observed.

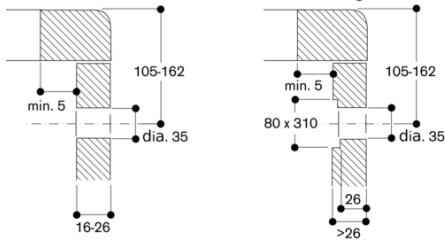
Appliance can be snapped into the
worktop from above.

Appliance weight: approx. 26.

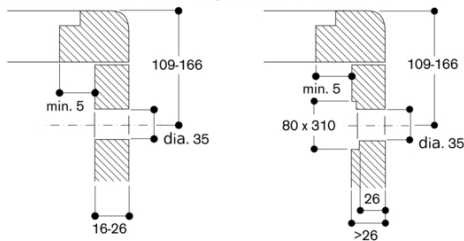
Connection

Total connected load 3.0 KW.
Plan a connection cable.

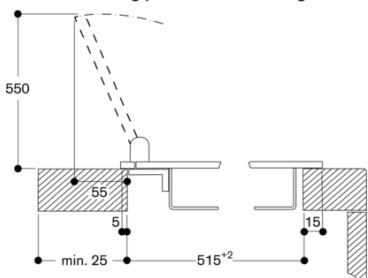
Installation of the control knob; surface mounting



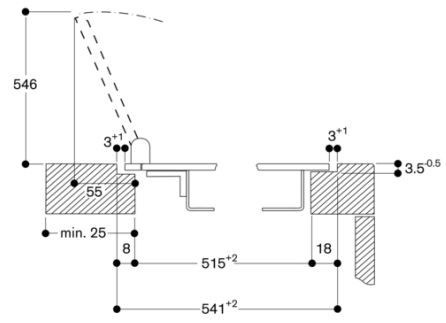
Installation of the control knob; flush installation



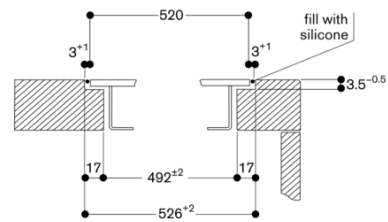
Installation with appliance cover/spacer batten;
 installation standing proud of surrounding surfaces



Installation with appliance cover/spacer batten;
 installation flush with surrounding surfaces

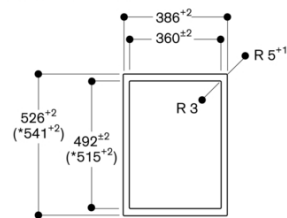


Cross-section



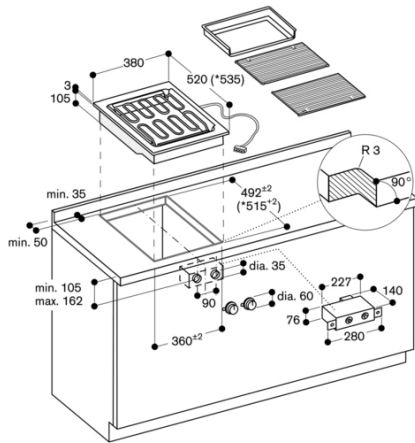
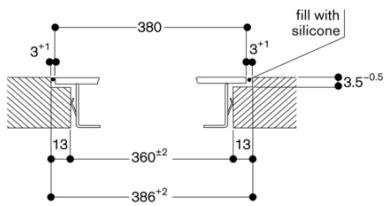
When installing with appliance cover or filler strip, pay attention to the deeper cut-out and the front and rear groove width.

View from above

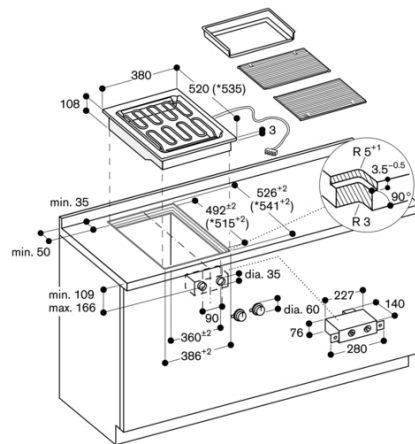


* with appliance cover or filler strip (observe the front and rear asymmetrical support, see separate notes "Installation with appliance cover/filler strip").

Longitudinal section



* with appliance cover
 measurements in mm



* with appliance cover
 measurements in mm