



WM260164



WMZ2381:

Extension for cold water inlet /Aquastop

WMZPW20W:

Platform with pull-out, washer, cubic

Washing machine 200 series

10 kg, 1600 rpm

WM260164

- Intelligent dosage system iDos 2.0 for liquid detergent and softener for a perfect washing result
 - 10 kg drum with interior lighting
 - Dynamic Wash System: innovative washing technology for increased cleaning performance
 - Intelligent dosage system iDos for liquid detergent and softener for a perfect washing result
- 10 kg drum with interior lighting
Top-up function
Dynamic Wash System: innovative washing technology for increased cleaning performance
Combines perfectly with dryer WT 260 110

Handling

Automatic programmes: Perfect washing results at the touch of a button.
Illuminated rotary knob with integrated On-Off switch.
Touch key operation.
TFT display with clear text and symbols.
Loading indicator with dosage recommendation.
Programme sequence and remaining time display.
Time delay up to 24 h hours.
Multiple signal tones.

Features

Aqua sensor.
Aqua stop.
Flow-through sensor.
Anti-stain automatic.
Continuous automatic load adjustment.
Foam detection system.
Spin speed selection from 400 to 1600 rpm.
Top-up function.
Dynamic Wash System technology for increased cleaning performance.
Automatic stabilisation.
Anti-crease system.
Child lock.

Selected digital services (Home Connect)

Smart Energy Management.
Smart Dry (Washing machine automatically selects correct dryer program).
Remote control and monitoring.
Integrated WiFi module for digital services (Home Connect).
The availability of the Home Connect functionality depends on the availability of the Home Connect Services in your country. Home Connect Services are not available in every country – for further information please check: www.home-connect.com

Programmes

Eco 40-60.
Cottons.
Cottons Color.
Easy care.
Quick/Mix.
Delicates/Silk.
Automatic.
Automatic Soft.

Dark Wash.

Sports.

Super 15/30.

Wool.

Memory.

Additional Programmes: Shirts, Allergy Plus, Drum Clean, Single Rinse, Spinning, Drain.
Options: Remote-Start, Intensive Plus, Speed Perfect, Rinse Plus, Less ironing, Rinse Hold, Water Plus, Silent Wash, Prewash, Stains.

Features

iDos for fully automatic dosing of liquid detergent and softener.
Volume capacity from 1 to 10 kg.
Drum interior lighting.
Powder detergent drawer with automatic cleaning mode after every wash cycle.
Stainless steel drum with wave structure.
Innovative BLDC motor technology for more performance, higher durability as well as less energy consumption and noise.

Product rating

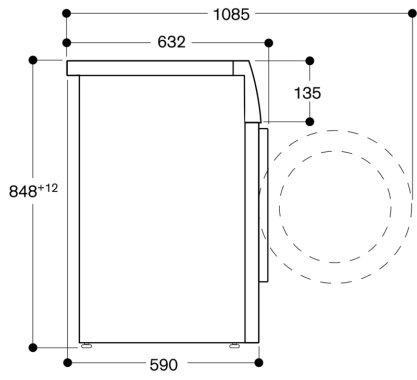
Energy efficiency class C at a range of energy efficiency classes from A to G.
Water consumption 49 l.
Energy consumption 67 kWh per 100 cycles.

Planning notes

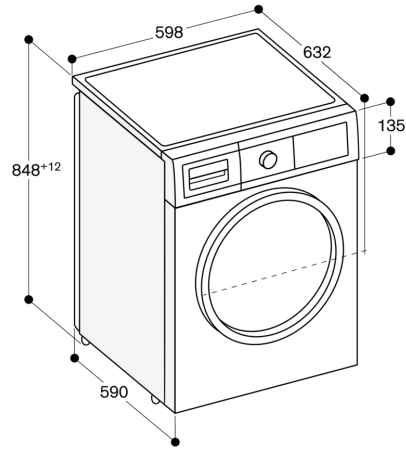
Left-hinged.
Large porthole with 180 ° opening angle.
Height-adjustable feet.
Height for slide-under installation: 85 cm.
Stackable under dryer WT 260 110 in combination with special accessory. With pull-out shelf 17001528, without pull-out shelf 17001527.

Connection

Total connected load 2.3 KW.
Connection cable 1.60 m with plug.
Water connection with 3/4 " screw joint.



measurements in mm



measurements in mm