



WS461112

warming drawer 400 series
60 x 14 cm, Stainless steel behind glass
[WS461112](#)

- Hygienic stainless steel interior with glass bottom
- Power level from 30° to 80°
- For slow cooking, dough proofing, herbs and fruits drying, chocolate melting and defrosting

- Handleless drawer

Cushioned closing system

Hygienic stainless steel interior with glass bottom

Direct temperature selection in the range 30 °C to 80 °C.

For slow cooking, dough proofing, herbs and fruits drying, chocolate melting and defrosting

Heating methods

Slow cooking.

Keeping meals warm.

Warming ovenware.

Cups and plates warming.

Direct temperature control.

Personalisation function via Home Connect.

16 additional programmes via Home Connect.

Handling

Touch key operation.

Recessed grip at the front bottom of the drawer.

Features

Net volume 20 litres.

Volume capacity: Dinner service for 6 people including ø 27 cm plates and soup bowls, additional bowls and a serving dish depending on size.

Capacity load max. 25 kg.

Usable interior dimensions

W547 mm x H 91 mm x D 410 mm.

Heating under glass bottom for easy cleaning.

Heating system for even heat distribution and stable cavity temperature.

Status display, visible in the glass front.

Glass bottom made of safety glass.

Heating timer via Home Connect.

Specific recipes via Home Connect.

Integrated WiFi module for digital services (Home Connect).

The availability of the Home Connect functionality depends on the availability of the Home Connect Services in your country. Home Connect Services are not available in every country – for further information please check: www.home-connect.com

Planning notes

The panel surface of the appliance extends 47 mm from the furniture cavity.

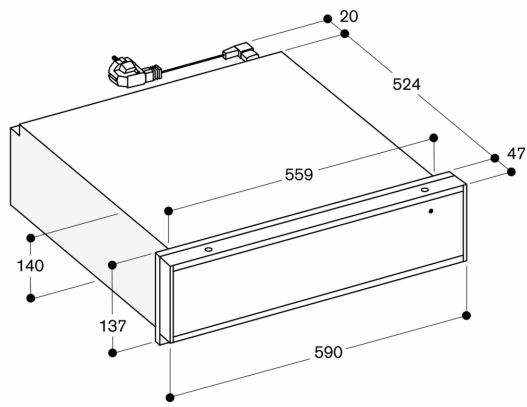
Installation of BS/BM/CM directly above WS in 59 cm niche without intermediate floor.

The socket can be planned behind the appliance.

Connection

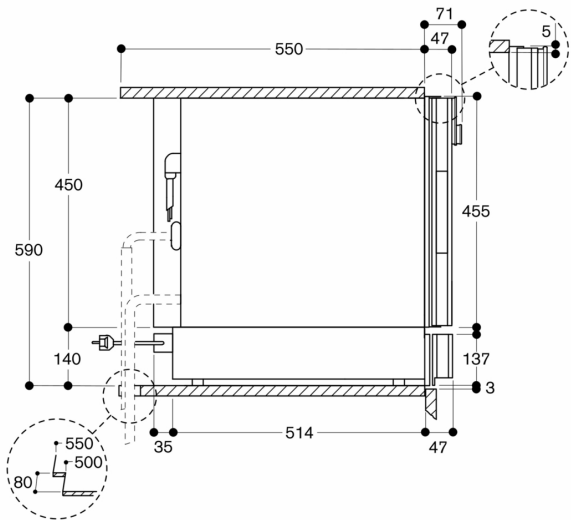
Total connected load 0.82 KW.

Connection cable 1.75 m, pluggable.



Measurements in mm

Side view of WS 461 below BS, BM, CM



Measurements in mm