



Color Variants

WT260101

Free-standing, slide-under or stackable

Width 60 cm, height 84.2 cm

WT260101

Tumble dryer with heat pump

Free-standing, slide-under or stackable

Width 60 cm, height 84.2 cm



Combines perfectly with WM 260 163
Large drum with interior lighting
Large porthole with 180 ° door opening angle
Self-cleaning heat exchanger,
highest comfort and constantly low consumption
Heat pump technology
Energy efficiency class A+++

Handling

Electronic control.
Illuminated rotary knob with integrated
On-Off switch.
Touch key operation.
TFT display with clear text and symbols.
Programme sequence and remaining
time display.
Time delay up to 24 h hours.
Multiple signal tones.

Features

Moisture and time controlled
programmes.
Heat pump technology.
Self-cleaning heat exchanger.
Anti-crease cycle at programme end.
Child lock.
The availability of the Home Connect
functionality depends on the availability
of the Home Connect Services in your
country. Home Connect Services are
not available in every country – for
further information please check:
www.home-connect.com

Programmes

Easy care.
Mix.
Delicates.
Hygiene.
Super 40.
Towels.
Sports.
Downs.
Duvets.
Shirts/Blouses.
Options: Easy Iron, Drying Target,
Drying Target Adjustment, Spin Speed,
Gentle Dry.

Features

varioSoft drum system.
Volume capacity from 1 to 8 kg.
Drum interior lighting.

Product rating

Energy efficiency class A+++ at a range
of energy efficiency classes from A++
+ to D.

Planning notes

Right-hinged, reversible.
Height-adjustable feet.
Height for slide-under installation: 84.2
cm.
Stackable over the washing machine
WM 260 163 in combination with special
accessory.

Connection

Total connected load 1.0 KW.
Connection cable 1.45 m with plug.

Characteristics

Construction type

Free-standing

Removable work top

No

Door hinge

Right reversible

Length of electrical supply cord

145.0

Height of removable worktop

842

Dimensions of the product

842 x 598 x 599

Net weight

57.079

Fluorinated greenhouse gases

No

Type of refrigerant

R290

Hermetically sealed equipment

Yes

Quantity of fluorinated gases

0.149

The quantity expressed in CO2 equivalent

0.000

Power consumption standby/network: Please check the user manual for how to switch off the WiFi module.

Time auto-standby/network

EAN code

4242006281021

Connection rating

1000

Fuse protection

10

Voltage

220-240

Frequency

50

Approval certificates

CE, Eurasian, G-Mark, Ukraine, Ukraine
grounding sign, VDE

Capacity cotton - NEW (2010/30/EC)

8.0

Energy efficiency rating

A+++

Energy consumption electric dryer, full load - NEW (2010/30/EC)

1.46

Standard cotton programme time at full load

148

Energy consumption electric dryer, partial load - NEW (2010/30/EC)

0.82

Standard cotton programme time at partial load

94

Weighted annual energy consumption, electric dryer - NEW (2010/30/EC)

176.0

Weighted programme time

117

Average condensation efficiency full load (%)

87

Average condensation efficiency partial load (%)

89

Weighted condensation efficiency (%)

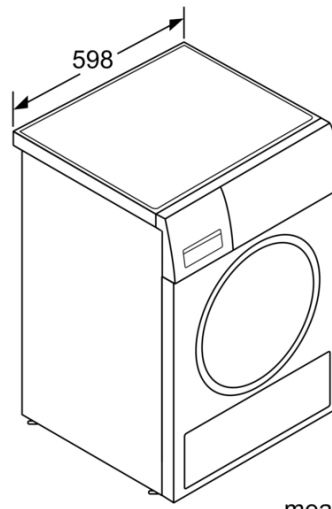
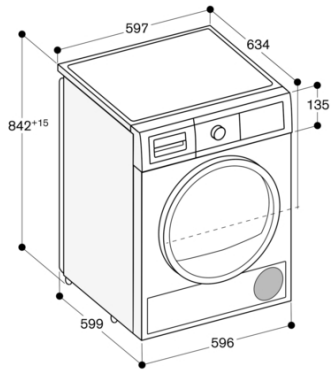
88

Consumption and connection features

created on 2021-12-29

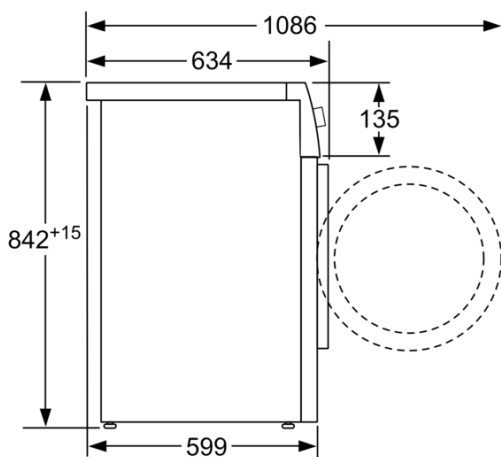
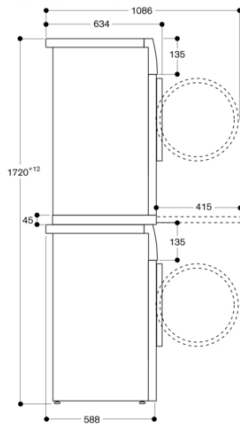
Page 1

WT260101
Tumble dryer with heat pump
Free-standing, slide-under or stackable
Width 60 cm, height 84.2 cm
created on 2021-12-29
Page 2



measurements in mm

Side view of WT 260 above WM 260
with connection kit WA 032 001



measurements in mm