

AC402181

AA012811:  
Ext.recirculation module ceiling White

AA200112:  
Activated charc. filter for AA200812/816

AA010811:  
Ext.recirculation mod. ceiling st.steel

AA012811:  
Ext.recirculation module ceiling White

AD754048:  
Air Collector Box DN 150mm round

AD854048:  
Air Collector Box DN 150 flat

## ceiling cooker hood 400 series 80 cm

[AC402181](#)

Discreet integration into the architecture of the kitchen

Flexible by dimension, performance and ventilation mode

Room ventilation

Modular ceiling ventilation which can be configured individually by separate components such as filter module, control modules and light module

Motorless, can be combined with Gaggenau BLDC remote fan units

Highly efficient patented rim extraction

Planned and easy to clean underside with covered filters

### Output

Power levels depend on the remote fan unit, see table on page XX.

### Features

Rim extraction filter, dishwasher-safe.

Installation frame for thread rods (threaded rods included in delivery).

Connecting pipe DW 150 round.

### Consumption data

Consumption data is referred to a configuration with the remote fan unit AR 400 142.

Energy consumption 60.6 kWh/year.

Ventilation efficiency class A.

Illumination efficiency class E.

Grease filter efficiency class B.

Sound level min. 50 dB / max. 65 dB normal mode.

### Planning notes

The ceiling ventilation has to be handled as a room ventilation when distance to cooktop is larger than 120 cm since the direct capture of vapours will be limited.

For air recirculation an external filter module is required.

Max. 3 filter modules to be connected to remote fan unit AR 400 142.

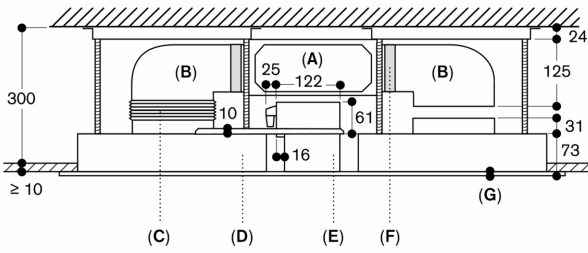
When installing remote fan unit within the ceiling or furniture block it must remain accessible through the ceiling cutout or another maintenance access.

Please ensure when installing the exhaust air ducting that no sharp bends are caused and that the cross-section of the ducting is not constricted in any way.

When installing a ventilation hood with air extraction mode and a chimney-vented fireplace, the hood's power supply line needs a suitable safety switch.

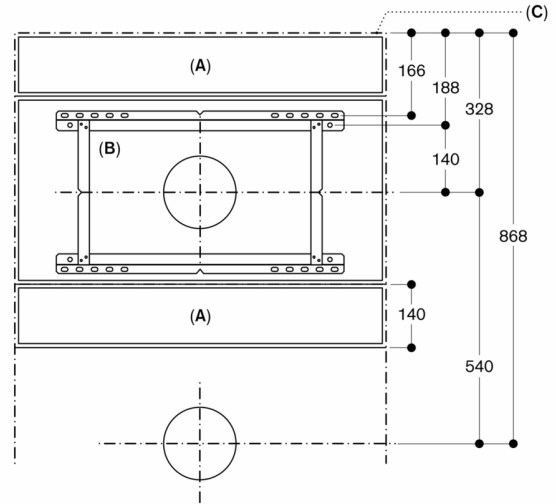
AC 402 Further possible ceiling fixture

Minimum installation height including flat duct DN 150



- A: AD 854 048
- B: AD 857 042
- C: AD 751 010
- D: AC 402 181
- E: AC 472 181 / AC 482 181
- F: AD 857 040
- G: 0.8 mm

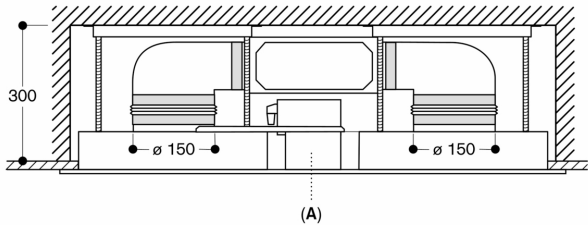
Measurements in mm



- A: AC 482 / 472
- B: AC 402
- C: Ceiling cut-out

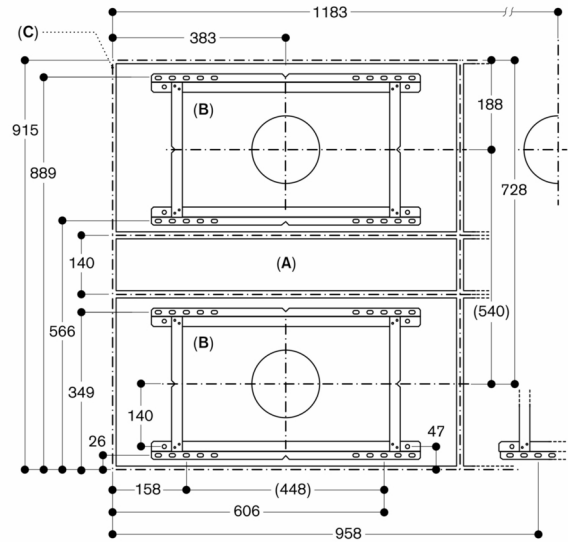
Measurements in mm

AC 402 Ceiling fixture and position of connecting piece DN 150



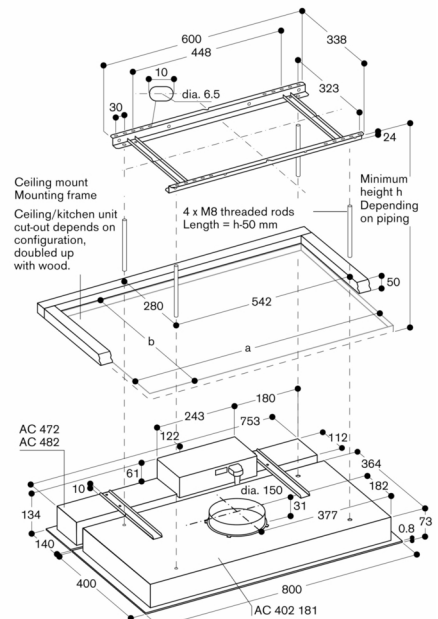
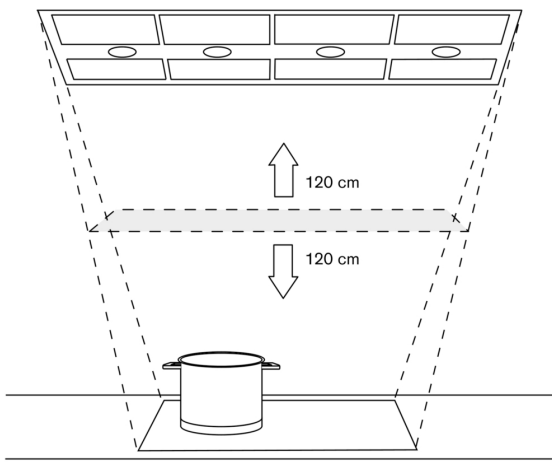
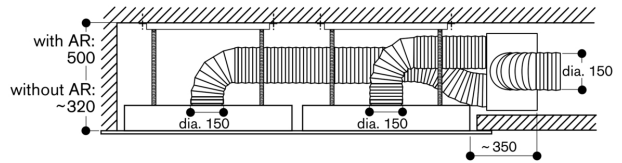
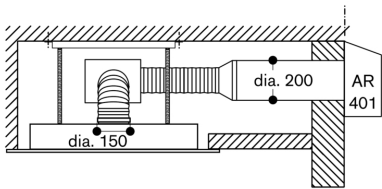
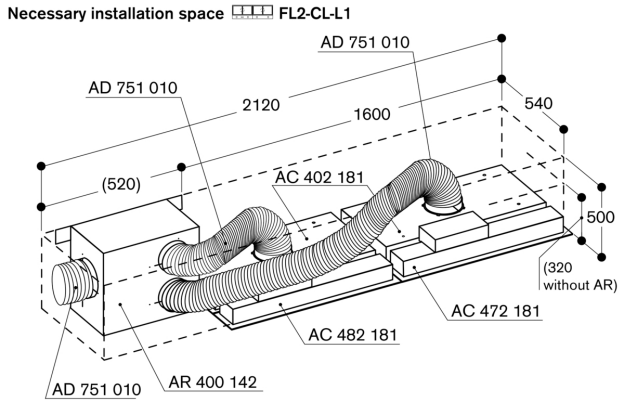
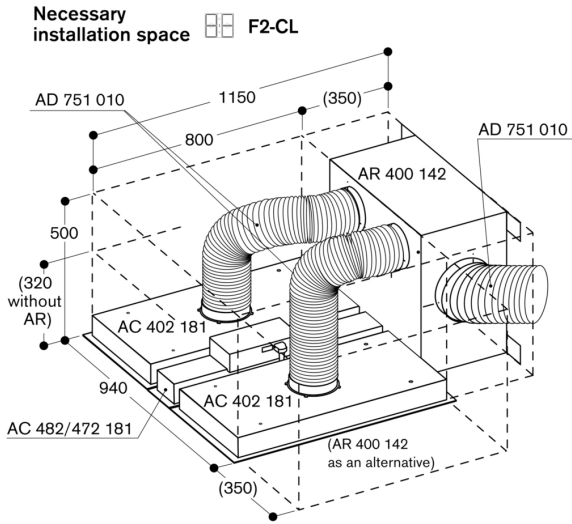
- A: AC 472 181 / AC 482 181

Measurements in mm




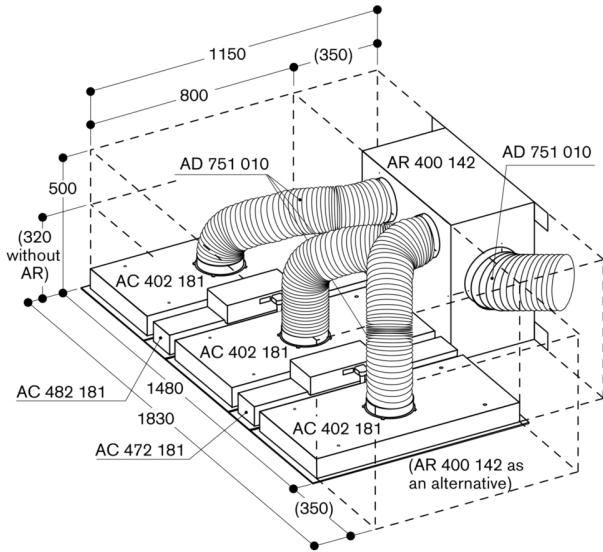
- A: AC 482 / 472
- B: AC 402
- C: Ceiling cut-out

Measurements in mm

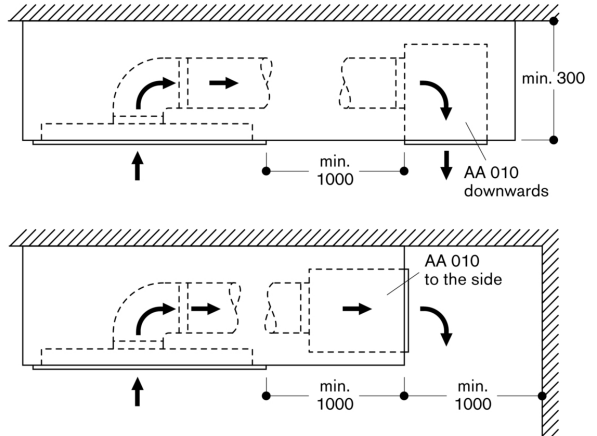


For multiple configurations:  
 Ceiling deflection around cut-out: max. + 3 mm.  
 Support is required in the middle to prevent deflection upwards when fastening the modules.  
 The required threaded rods, nuts and ceiling bolts are supplied as standard.

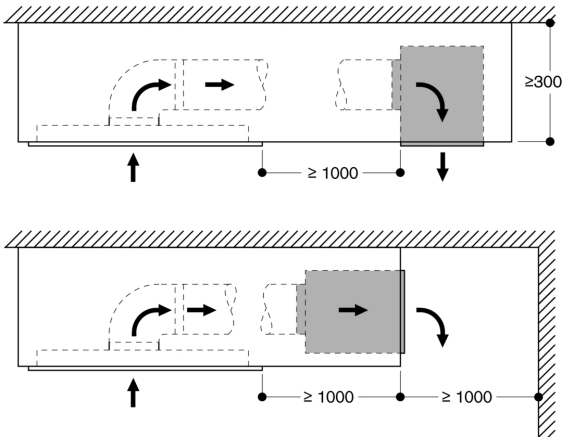
Necessary installation space  F3-CL-L1



AC 402 with air recirculation module AA 010 810



AC 402 with air recirculation module



measurements in mm