



BMP224100

1 x glass pan
1 x grid

HEZG9AS00S:
Adapter

Built-In Microwave Oven 200 series
Door hinge: Right, Gaggenau Anthracite
BMP224100

Flush installation
Handleless door / automatic door opening
Single operation and combination of microwave and grill
Sequential operation of up to 5 modes incl. programming of combined operation and rest time
TFT touch display
Electronic temperature control
Interior volume 21 litres

Programmes

Microwave operation with 5 output levels: 900, 600, 360, 180, 90 W.
Full surface grill with 3 levels of intensity, maximum output 1300 W.
Full surface grill with microwave output levels 360, 180 and 90 W combinable.
10 automatic programmes with weight indication:
3 defrosting programmes 4 cooking programmes 3 combination programmes
Option to save individual recipes.

Handling

Automatic door opening.
Rotary knob and TFT touch display operation.
Clear text display.
Information key with use indicators.
Side-opening door opens up to 110° angle.

Features

Innowave.
Actual temperature display.
25 W interior light.
Hygienic stainless steel interior with glass ceramic base.

Safety

Thermally insulated door with double glazing.
Triple door lock.
Child lock.
Safety shut-off.
Cooled housing with temperature protection.

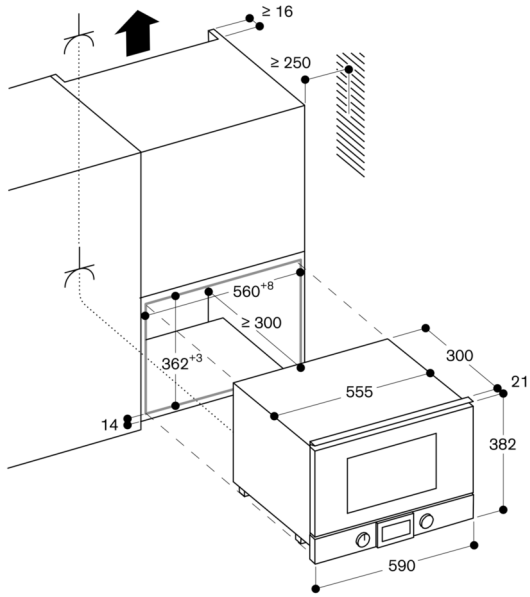
Planning notes

Door hinge not reversible.
Minimum installation height 85 cm (top edge of niche bottom).
Height-adjustable feet.
Installation of BMP above BOP with intermediate shelf.
Necessary lateral gap between appliance door and furniture panel of min. 5 mm.
The door panel surface of the appliance extends 21 mm from the furniture cavity.
When planning a corner solution, pay attention to the 90° door opening angle.

Connection

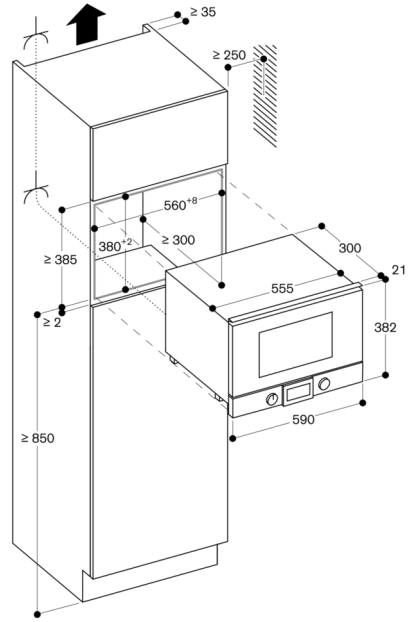
Total connected load 2.0 KW.
Connection cable 1.7 m, detachable.

Installation in an upper cabinet



Socket
measurements in mm

Installation in a tall cupboard



Socket
measurements in mm

Side view of BMP 224/225 over BOP

