



BSP251111

1 x grid
1 x pluggable meat probe
punched
1 x STS tray
unpunched
40 mm deep

BA010301:
Telescopic racks for combi-steam oven

BA020361:
Container st. steel unperf

BA020370:
Container st. steel perf

BA020381:
Container non-stick unperf

BA020390:
Container non-stick perf

BA046117:
Glass tray, for 60cm oven

GN010330:
GN-adapter

GN114130:
GN insert unperf, st. steel, GN1/3, 40mm

GN114230:
GN insert unperf, st. steel, GN2/3, 40mm

GN124130:
GN insert perf, st. steel, GN1/3, 40mm

GN124230:
GN insert perf, st. steel, GN2/3, 40mm

GN340230:
Gastronorm roaster GN 2/3

combi-steam oven 200 series
60 x 45 cm, Door hinge: Left, Gaggenau Metallic
BSP251111

- Combination of hot air and steam
- Water tank for fresh and waste water
- Flush installation

Steaming without pressure
Hot air 30 °C to 230 °C freely combinable
humidity level of 0%, 30%, 60%, 80% or 100%.
Sous-vide cooking with accurate temperature
regulation
TFT touch display
Panel-free appliance with surface control
module
Net volume 50 litres

Heating methods

Handling

Rotary knob and TFT touch display operation.
Clear text display.
Option to save individual recipes (incl. core
temperature probe).
Information key with use indicators.
Side-opening door opens up to 110° angle.

Features

Water level warning.
Actual temperature display.
Automatic boiling point detection.
Hygienic stainless steel cooking interior.
3 tray levels.
The use of the Home Connect functionality
depends on the Home Connect services, which
are not available in every country. For further
information please check: home-connect.com.

Safety

Child lock.
Safety shut-off.
Cooled housing with temperature protection.

Cleaning

Cleaning aid.
Grease filter, dishwasher-safe.
Strainer filter, removable.

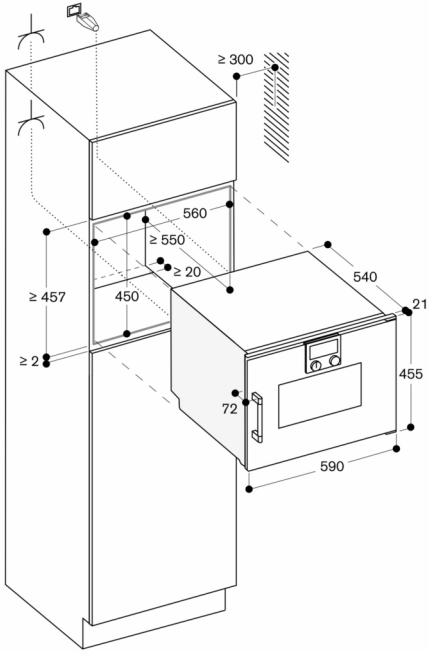
Planning notes

Door hinge not reversible.
No other electrical appliances should be
installed above the BS.
The door panel surface of the appliance extends
21 mm from the furniture cavity.
The outer edge of the door handle extends 72
mm from the furniture cavity.
Necessary lateral gap between appliance door
and furniture panel of min. 5 mm.
Consider the overhang, incl. the door handle,
when planning to open drawers next to the
appliance.
When planning a corner solution, pay attention
to the 110° door opening angle.
The mains socket needs to be planned outside
the built-in niche.

Connection

Energy efficiency class A at a range of energy
efficiency classes from A+++ to D.
Total connected load 3.1 KW.
Connecting cable 1.8 m with plug.

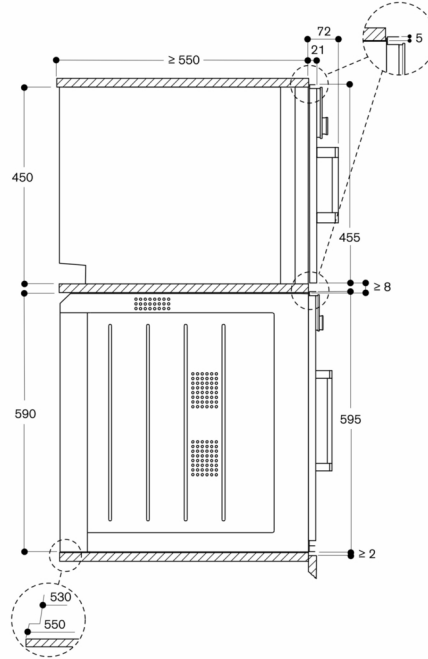
Power consumption standby/display off 0.5 W.
Power consumption standby/network 1.8 W.
Time auto-standby/network 20 min.
Please check the user manual for how to switch
off the WiFi module.



Socket

measurements in mm

Side view of BSP 220/250 above BOP



measurements in mm