



DVP221110

**Built-in vacuum drawer 200 series**  
**60 x 14 cm, Gaggenau Metallic**  
**DVP221110**

Integrable in 14 cm high niche  
Hygienic stainless steel vacuuming chamber,  
applicable height up to 80 mm  
3 vacuuming levels for vacuuming in the  
chamber, max. 99%  
3 vacuuming levels for vacuuming outside the  
chamber, max. 90%  
Automatic connection recognition for vacuuming  
outside the chamber  
Flush installation  
Handleless drawer  
Push-to-open system

**Application**

Vacuuming for sous-vide cooking.  
Vacuuming for fast marinating and flavouring.  
Vacuuming for extended storage.  
Vacuuming of vacuuming containers outside the  
chamber.  
Vacuuming of liquids in bottles outside the  
chamber.

**Handling**

Touch key operation.

**Features**

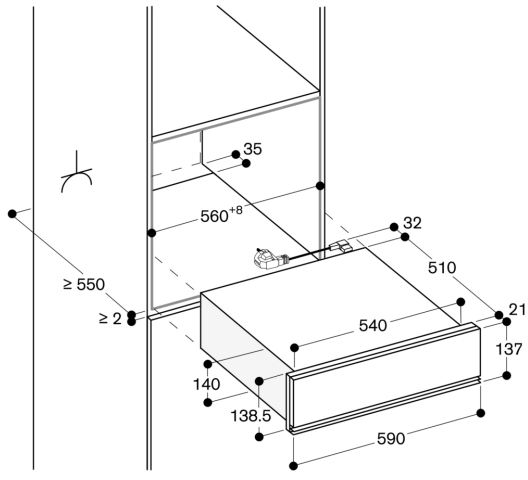
Net volume 7 litres.  
Capacity load max. 10 kg.  
Maximum size of vacuuming bags W 240 mm x L  
350 mm.  
3 heat-sealing levels for different strengths of  
bag material.  
Sealing bar, non-stick coating, removable.  
Safety glass cover, opens automatically after  
vacuuming.  
Raised vacuuming platform, 44 mm, deployable.  
Utility space in vacuuming chamber, W 210 mm  
x L 275 mm.  
Membrane for avoiding reflux of liquids during  
vacuuming outside the chamber.  
Drying programme for vacuuming pump.  
Warning function.

**Planning notes**

Necessary lateral gap between appliance front  
and furniture panel of min. 5 mm.  
The panel surface of the appliance extends 21  
mm from the furniture cavity.  
Installation of BS/BM/CM directly above DV in  
59 cm niche without intermediate floor.  
Built-in under worktop or in single niche.  
The socket can be planned behind the  
appliance.

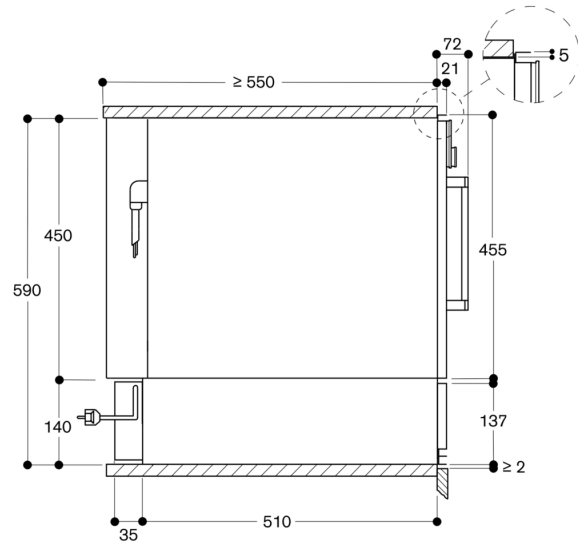
**Connection**

Total connected load 0.32 KW.



Socket  
measurements in mm

Side view DVP 221 below BSP, BMP, CMP



measurements in mm