



RF471304

1 x ice cube scoop
1 x connection set
1 x Ice storage container
large

RA448220:
Ice container, small, 90° door fixation

RA450012:
Water filter Vario 400

RA421710:
SS door 76,2cm / 30"

RA423140:
Side trims, long

RA425110:
Vario SS handle 1131 mm

RA428710:
SS door w/o handle 76,2cm / 30"

RA460013:
Heating side kit 230V

RA460020:
Frontpanel connection long

RA464714:
Ventilation grille 76.2cm /30" w filter

Vario built-in freezer 400 series
212.5 x 75.6 cm, soft close flat hinge
RF471304

Stainless steel interior with solid anthracite aluminium elements
Warm white and glare-free LED light spots
Opening assist for door with two options:
1. Push-to-open function for integration into handleless furniture front 2. Pull-to-open function to facilitate opening the door using a handle
The drawers in the RC and RF models are positioned at the same height. With side-by-side installation, the glass shelves and door racks can be aligned on the same level
Material and aesthetics of interior as for RC model
- Glass shelves - Solid anthracite aluminium door racks
Flat stainless steel inner door, full-length
Almost invisible rail system for shelves and door racks for flexible positioning
Integrated ice maker with fixed inlet water connection
TFT touch display
Net volume 429 litres

Handling

TFT touch display operation.
Clear text display.

Technical Features

Dynamic cold air distribution.
Automatic defrosting with defrost water evaporation.
Rest mode certified by Star-K.
When rest mode is active, the appliance can only be opened using a handle.
Open-door and malfunction alarm.
Home network integration for digital services (Home Connect) wireless via WiFi.
The use of the Home Connect functionality depends on the Home Connect services, which are not available in every country. For further information please check: home-connect.com.

Freezing

No-frost technology with fast freezing at -30 °C.
Temperature adjustable from -24 °C to -14 °C.
4-star freezer compartment.
Freezing capacity 20 kg/24 h.
Storage time after a malfunction 14 h.
4 safety glass shelves, white glass, 3 of which are individually height adjustable.
2 fully extendable drawers with transparent front.
Flat door rail system with fully flexible positioning of door racks.
4 height-adjustable door racks.

Ice maker

Integrated in the freezer compartment, with fixed water connection (inlet).
Particle filter for water inlet, integrated in ventilation grille area.
Can be switched off.
Ice cube production: approx. 1.7 kg/24 h.
Removable ice storage container with approx. 4 kg capacity.

Consumption data

Energy efficiency class A++ at a range of energy

efficiency classes from A+++ to D.
Energy consumption 340 kWh/year.
Noise level 42 dB (re 1 pW).

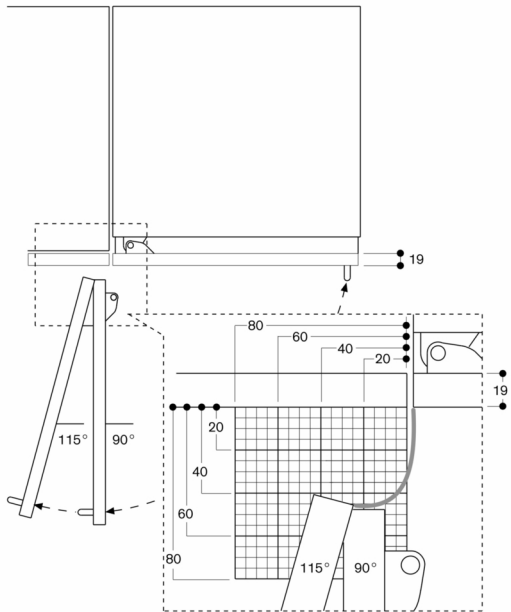
Planning notes

Flat hinge.
Door hinge left, reversible.
Door opening angle of 115°, fixable at 90°.
For installation with a door opening angle of 90°, the drawers have restricted access and the ice storage container must be exchanged for the small ice storage container (RA 448220). This must be done prior to fixing the door.
Shut-off valve for water connection must be planned next to the appliance and always be accessible.
If the water pressure exceeds 0.8 MPa (8 bar), connect pressure relief valve between water tap and hose set.

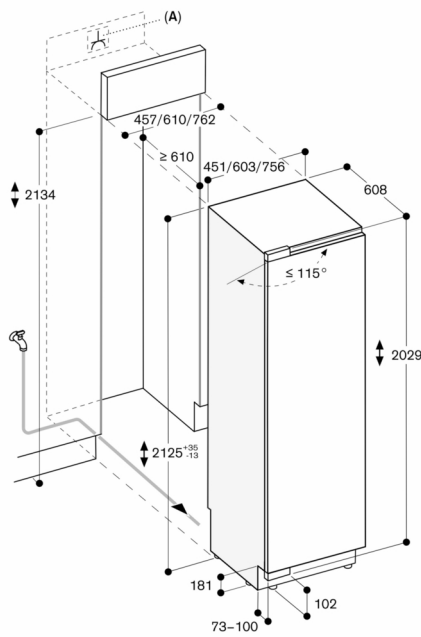
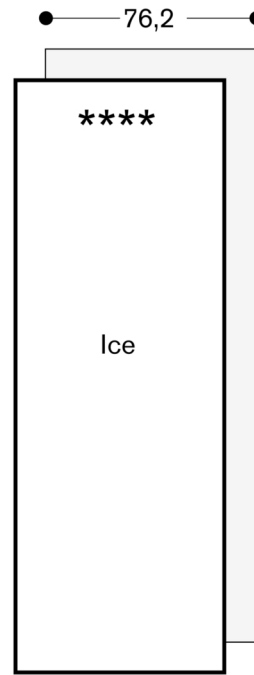
Connection

Total connected load: 0.300 KW.
Connecting cable 3.0 m, detachable.
Water inlet.
Supply hose 2.0 m with 3/4" connection.
Water pressure 2 to 8 bar.

Door opening angle



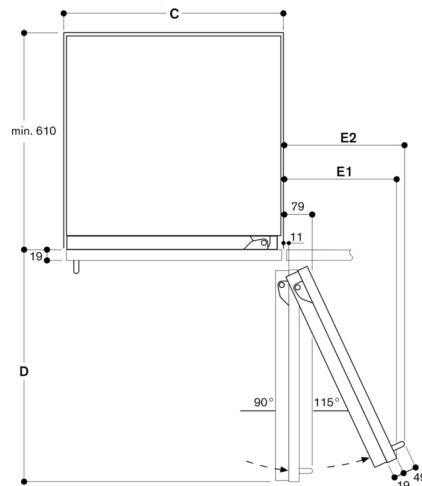
The hinge travel and resulting clearances from adjacent furniture units and handles can be found from the drawing while allowing for the thickness of the front panel. In the drawing, a furniture unit front panel thickness of 19 mm was assumed.



A: Socket
Maximum door panel dimensions are based on a clearance of 3 mm

Measurements in mm

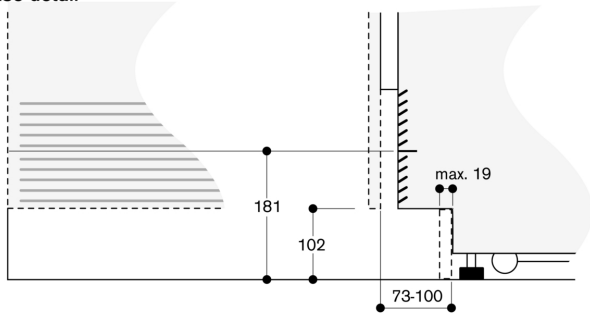
Wall clearance RB 472/RC/RF/RW



Recess width	D	E1	E2	
C	457 mm	525 mm	235 mm	265 mm
	610 mm	677 mm	299 mm	330 mm
	762 mm	830 mm	364 mm	395 mm
	914 mm	980 mm	428 mm	460 mm

In the drawing, a unit front thickness of 19 mm and a Gaggenau unit handle of 49 mm were taken as a basis.

Base detail



Based on the standard appliance height, the height of the plinth is 102 mm. Maximum plinth thickness 19 mm.