

Color Variants

VF230114
Stainless steel control panel
Width 28 cm

Included accessories

1 x stainless steel cover.
1 x deep-fat frying basket.

VF230114
Vario deep fryer 200 series
Stainless steel control panel
Width 28 cm

Can be combined with the cooktops of the Vario 200 series to a harmonic unity
Generous control panel for comfortable and secure operation
Three-zone basin, without flavour transfer
Exact temperature control, no drop in output
Integrated frying basket suspension

Cooking zones

Three-zone basin.
Oil capacity 3.5 litres.

Handling

Function display.
Electronic temperature control from 135 °C to 190 °C, in 5 °C steps.

Features

Gentle fat melting setting.
Foaming zone.
Frying zone.
Cold oil zone.
Swing-out heating element (2300 W).
Electronic short-term timer up to 90 min.

Safety

Remaining time display.
Electronic overheating protection.
Child lock.
Safety shut-off.

Planning notes

Plan a door in the bottom cabinet for operation of the oil drain valve.
VF 230 and VK 230 must not be installed directly next to each other.
Appliance can be snapped into the worktop from above.
Appliance weight: approx. 10 kg.

Connection

Total connected load 2.3 kW.
Connecting cable 1.7 m without plug.

Characteristics

Product name/family
Vario/Domino deep fryer
Built-in / Free-standing
Built-in
Energy input
Electric

Type of control
Electronic

Type of control setting and signalling devices

Sword knobs

Required niche size for installation

(HxWxD)
420 x 268 x 490

Width of the product (mm)

288

Dimensions of the product (mm)

420 x 288 x 523

Dimensions of the packed product

(HxWxD) (mm)

390 x 420 x 610

Net weight (kg)

9.783

Gross weight (kg)

11.4

Power on indicator

No

Location of control panel

Type of regulation

Stepless energy regulated

Basic surface material

Stainless steel

Color of surface

Stainless steel, Stainless steel

Color of frame

Stainless steel

Approval certificates

Australia Standards, CE, Eurasian, G-Mark, Ukraine, VDE

Length electrical supply cord (cm)

170

Consumption and connection features

Electrical connection rating (W)

2300

Current (A)

10; 16

Voltage (V)

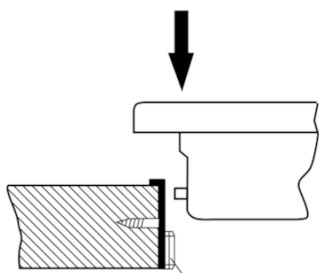
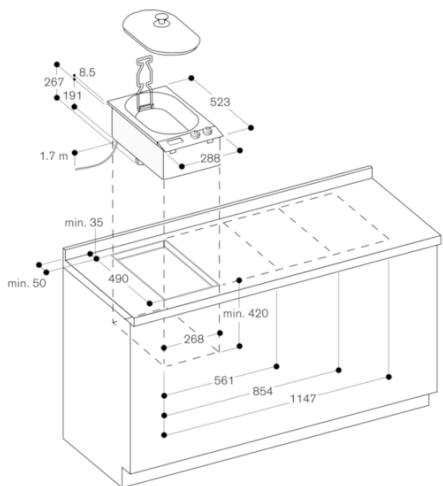
230

Frequency (Hz)

50; 60

2020-02-01

Page 1



Mounting rail
(rear and front)