



Color Variants

VG231114F
Stainless steel control panel
Width 28 cm

VG231114F
Vario gas wok 200 series
Stainless steel control panel
Width 28 cm
Liquid gas 28 - 37 mbar
Wok burner with up to 5.8 KW

Can be combined with the cooktops of the Vario 200 series to a harmonic unity
Generous control panel for comfortable and secure operation
Multi-ring burner of solid, heat-resistant brass as used in professional kitchen
Total output up to 5.8 KW

Cooking zones

1 multi-ring wok burner (270 W – 5800 W), suitable for pots up to max. ø 32 cm.

Handling

One-handed operation.
Electric ignition.
To close the cover, the cast iron pan support can be easily reversed.

Features

Cast iron pan support.
Brass burner rings.

Safety

Thermoelectric safety pilot.

Planning notes

Maximum drawer depth 42 cm.
Appliance can be snapped into the worktop from above.
A minimum clearance of at least 150 mm from adjacent heat-sensitive furniture or contact surfaces must be observed or thermal insulation fitted.
With a total connected load of more than 11 kW local regulations concerning room ventilation, room size and combination of extraction or recirculation hoods must be observed.
Minimum clearance between gas cooktop(s) with more than 11 kW and ventilation hood 70 cm.
Special nozzles (order 1 of each): Part No. 622148 Natural gas 20 mbar Part No. 622150 Liquid gas 50 mbar Part No. 622151 Liquid gas 28-30/37 mbar
Appliance weight: approx. 9 kg.

Connection

Total connected load gas 5.8 kW.
Total connected load electric 1.0 W.
Connecting cable 1.4 m with plug.

Characteristics

Product name/family
Vario/Domino gas hob w control
Built-in / Free-standing
CONSTR_TYPE.Built-in
Energy input
Gas
Total number of positions that can be used at the same time
1
Required niche size for installation (HxWxD)
88 x 268 x 490
Width of the product (mm)
288
Dimensions of the product (mm)
88 x 288 x 523
Dimensions of the packed product (HxWxD) (mm)
230 x 410 x 600
Net weight (kg)
9.400
Gross weight (kg)
10.8
Residual heat indicator
without
Location of control panel
Hob front
Basic surface material
brushed stainless steel
Color of surface
Stainless steel
Color of frame
Stainless steel
Approval certificates
CE, Eurasian, G-Mark, VDE
Length electrical supply cord (cm)
140

Consumption and connection features

Electrical connection rating (W)

1

Gas connection rating (W)

5800

Current (A)

10

Voltage (V)

220-240

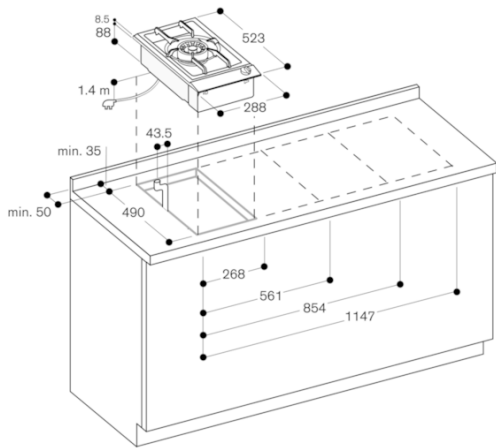
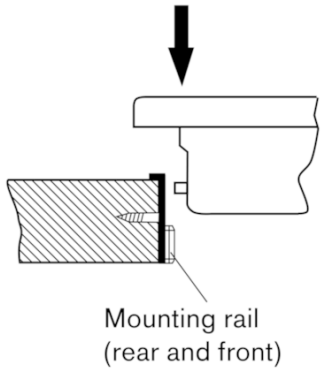
Frequency (Hz)

60; 50

2019-11-08

Page 1

VG231114F
Vario gas wok 200 series
Stainless steel control panel
Width 28 cm
Liquid gas 28 - 37 mbar
Wok burner with up to 5.8 KW
2019-11-08
Page 2



Gas connection

