



VL414111

AA414010:
400ser Air Duct Part

AD724041:
Adapter connection piece

AD724042:
Connection piece cylindrical duct DN150

AD854046:
Ventilation connection piece flat 150mm

VA420000:
Connecting strip Serie 400, flush, short

VA420010:
Connecting strip Serie 400, top, short

Vario downdraft ventilation 400 series 11 cm, Stainless steel

VL414111

Highly efficient ventilation system at the cooktop
Flexible power distribution, precise extraction of cooking vapours only at the open ventilation elements

Can be combined perfectly with other Vario appliances of the 400 series

Precision crafting of 3 mm stainless steel

For surface mounting with a visible edge or for flush mounting

Motorless, can be combined with Gaggenau BLDC remote fan units

Output

Power levels depend on the remote fan unit, see table on page XX.

Features

Manual opening of the ventilation element.

Closing element made of stainless steel, dishwasher-safe.

Metal grease filter, dishwasher-safe.

No connecting piece included.

Consumption data

Consumption data is referred to a configuration with the remote fan unit AR 403 122.

Energy consumption 53.2 kWh/year.

Ventilation efficiency class A.

Illumination efficiency class -.

Grease filter efficiency class C.

Sound level min. 56 dB / max. 68 dB normal mode.

Planning notes

Refer to the table on page XX for the matching remote fan units for air recirculation or air extraction mode.

Secure the control unit to the side panel of the cabinet, not to the base of the cabinet or the kitchen floor.

For each VL one remote fan unit is recommended.

Maximum cooktop width between two VL: 60 cm.

Appliance can be snapped into the worktop from above. Additional fixing by clamps accessible from bottom up, clamping range 30-50 mm.

If combining several Vario appliances of the 400 series, a connection strip VA 420 must be placed between the appliances. Depending on the type of installation, the corresponding connection strip must be provided.

The bearing capacity and stability, in the case of thin worktops in particular, must be supported using suitable substructures. Take into account the appliance weight and additional loads.

Additional instructions for flush mounting:

Installation is possible in worktops made of stone, synthetics or solid wood. Heat resistance and watertight sealing of the cut edges must be observed. Concerning other materials please consult the worktop manufacturer.

The groove must be continuous and even, so that uniform placing of the appliance on the gasket is ensured. Do not use discontinuous lining.

The joint width may vary due to size tolerances of the combinations and of the worktop cut-out.

If installing several appliances in individual cut-outs allow for a division bar of minimum 50 mm between the individual cut-outs.

If operated next to gas appliances, the ventilation moulding AA 414 010 is recommended to ensure maximum performance of the cooktop.

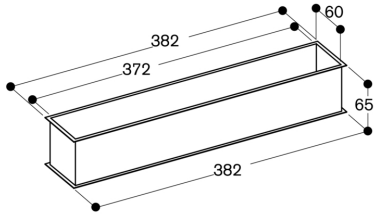
If installed next to gas appliances, flat ducts must not be used for the piping up to the fan unit.

If installed next to VP 414, the flat duct must not be positioned underneath the VP 414.

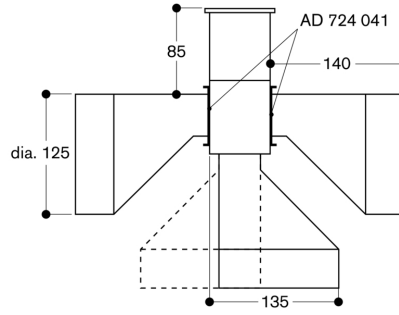
Connection

Connection cable 2.0 m between ventilation element VL 414 and control knob AA 490.

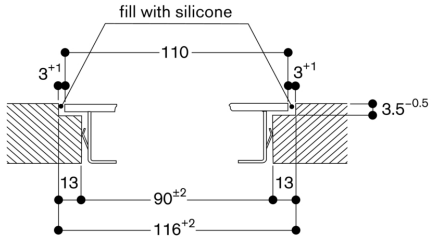
AS 070 001



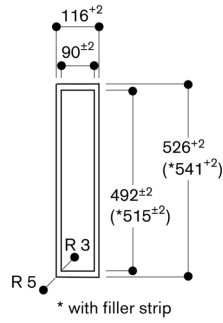
VL 414 with AD 724 040/041



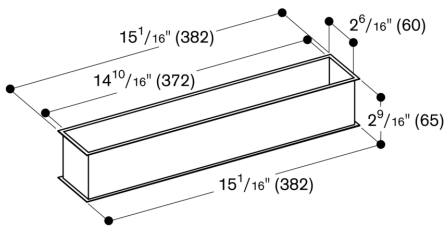
Longitudinal section



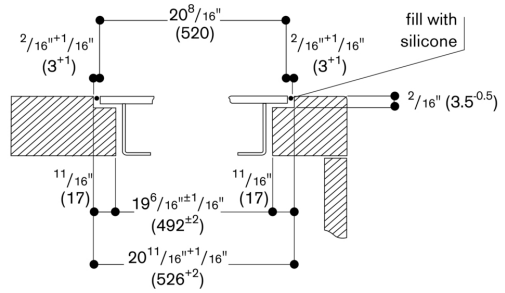
View from above



AS 070 000

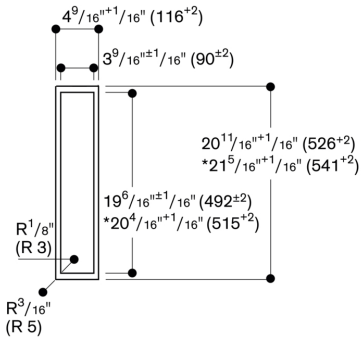


Cross-section



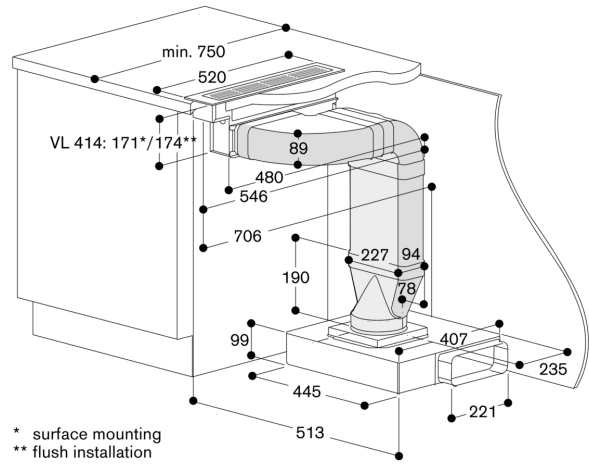
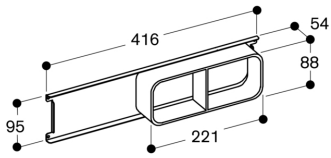
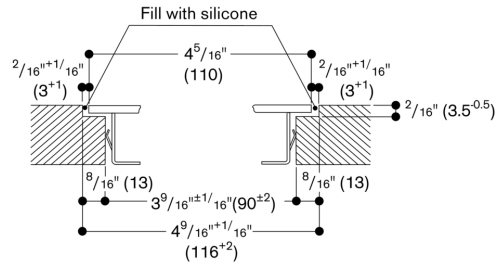
When installing with appliance cover or spacer batten, pay attention to the deeper cut-out and the front and rear groove width.

View from above

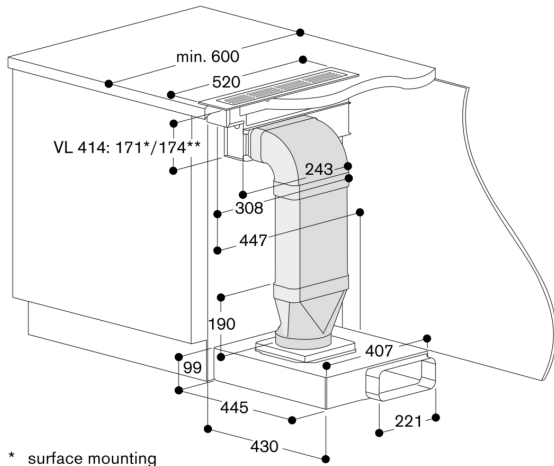


* With spacer batten

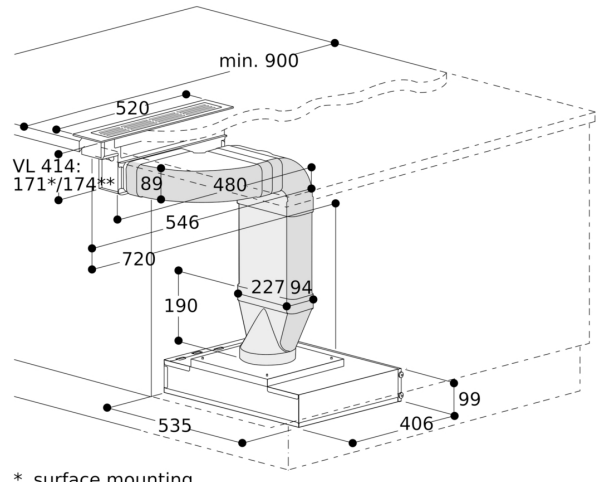
Longitudinal section



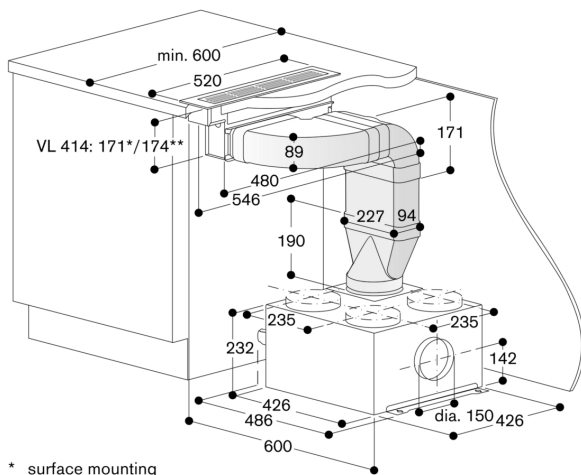
* surface mounting
** flush installation



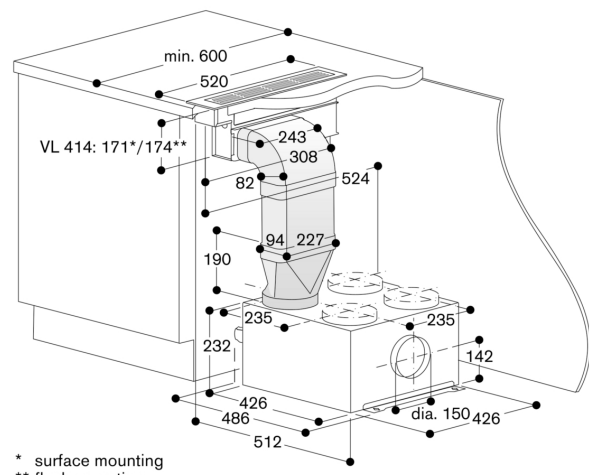
* surface mounting
** flush installation



* surface mounting
** flush mounting

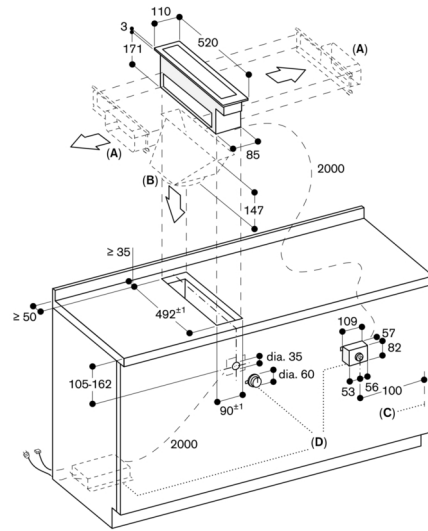
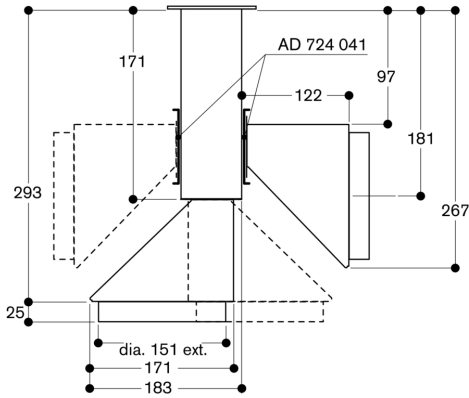


* surface mounting
** flush mounting



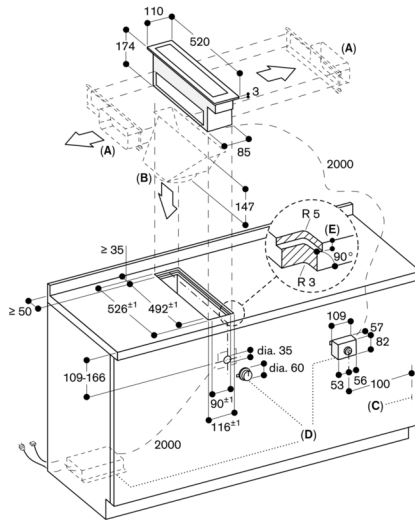
* surface mounting
** flush mounting

VL 414 with AD 724 042/041



- A: DN 150 flat duct pipe connection piece, left/right with AD 854 046 or DN 150 round duct pipe connection piece, left/right with AD 724 042 + AD 724 041
- B: DN 150 round duct pipe connection piece, bottom with AD 724 042
- C: Cable access, right-hand side
- D: Vario ventilation control knob AA 490

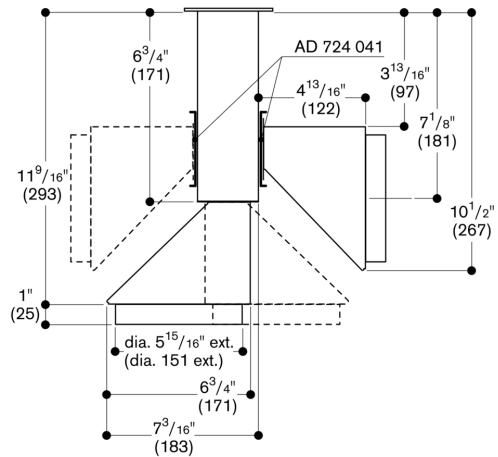
See separate planning notes for
 - Positioning the control knob
 - Configuring the flexible power distribution
 measurements in mm

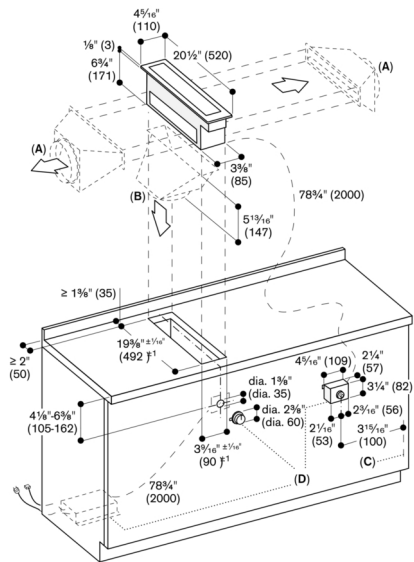


- A: DN 150 flat duct pipe connection piece, left/right with AD 854 046 or DN 150 round duct pipe connection piece, left/right with AD 724 042 + AD 724 041
- B: DN 150 round duct pipe connection piece, bottom with AD 724 042
- C: Cable access, right-hand side
- D: Vario ventilation control knob AA 490
- E: 3.5°

See separate planning notes for
 - Positioning the control knob
 - Configuring the flexible power distribution
 measurements in mm

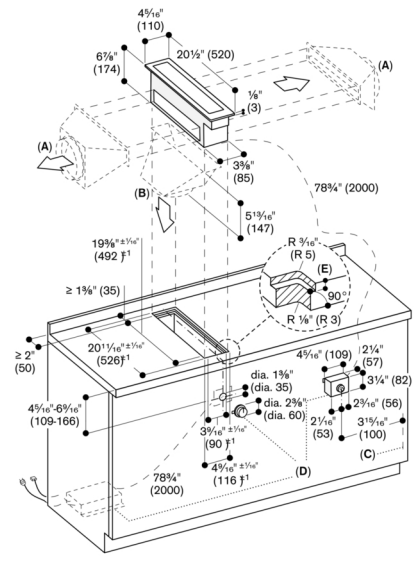
VL 414 with AD 724 042/041





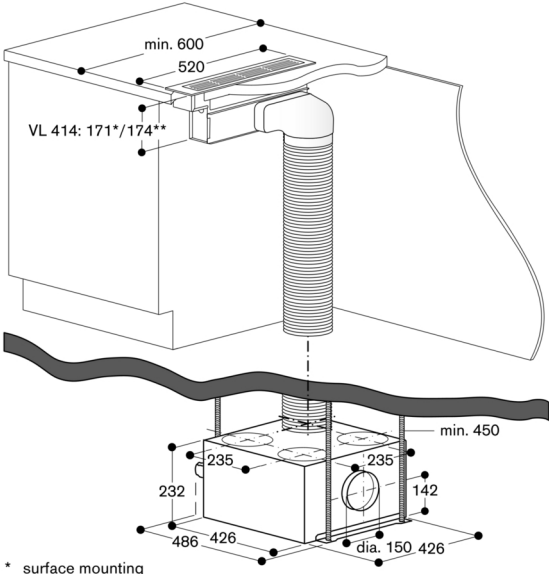
- A: DN 5 7/8" (150) round duct pipe connection piece, left/right with AD 724 042 + AD724 041
- B: DN 5 7/8" (150) round duct pipe connection piece, bottom with AD 724 042
- C: Cable access, right-hand side
- D: Vario ventilation control knob AA 490

See separate planning notes for
 - Positioning the control knob
 - Configuring the flexible power distribution
 measurements in inches (mm)

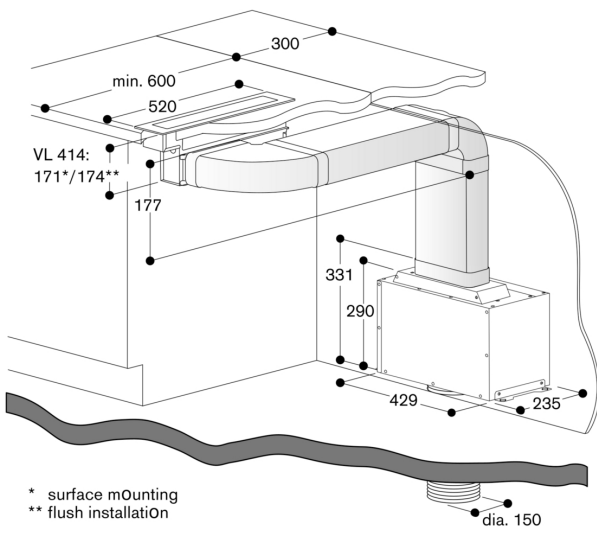


- A: DN 5 7/8" (150) round duct pipe connection piece, left/right with AD 724 042 + AD724 041
- B: DN 5 7/8" (150) round duct pipe connection piece, bottom with AD 724 042
- C: Cable access, right-hand side
- D: Vario ventilation control knob AA 490
- E: 1/8" (3.5^{mm})

See separate planning notes for
 - Positioning the control knob
 - Configuring the flexible power distribution
 measurements in inches (mm)

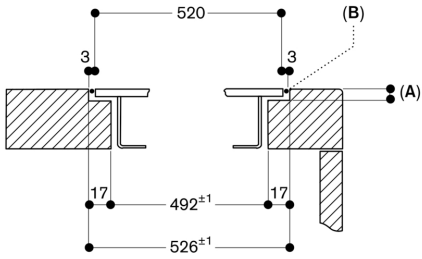


* surface mounting
 ** flush installation



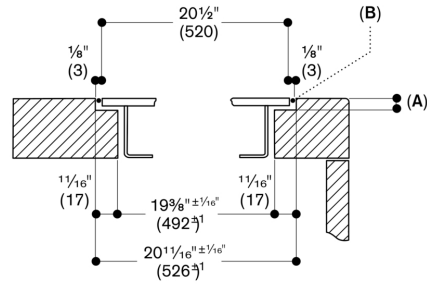
* surface mounting
 ** flush installation

Cross-section



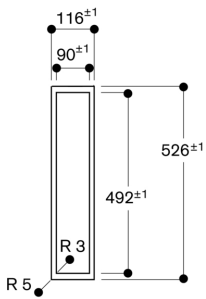
A: 3.5^{0.5}
 B: Fill with silicone
 measurements in mm

Cross-section



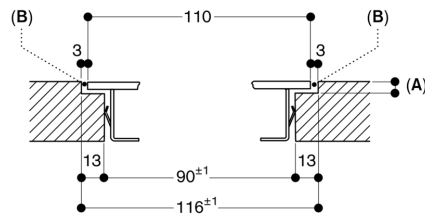
A: 1/8" (3.5^{0.5})
 B: Fill with silicone
 measurements in inches (mm)

View from above



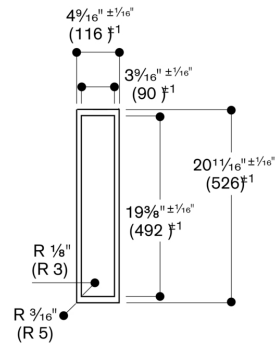
measurements in mm

Longitudinal section



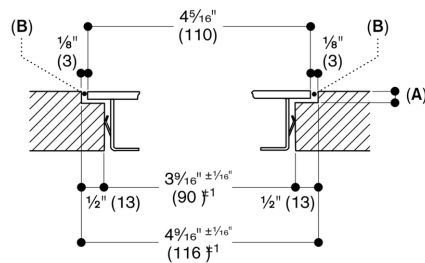
A: 3.5^{0.5}
 B: Fill with silicone
 measurements in mm

View from above



measurements in inches (mm)

Longitudinal section



A: 1/8" (3.5^{0.5})
 B: Fill with silicone
 measurements in inches (mm)