



AC200181

AA200510:

Remote control

AA210110:

Active charcoal filter f. recirc. module

AA211812:

Recirculation module w.active charcoal

integrated rangehood 200 Series 70 cm, Stainless steel and glass

AC200181

Can be integrated invisibly in upper cabinet
Energy-saving, low-noise fan
Rim extraction with flat and easy-to-clean glass underside
Dimmable, neutral white LED light for ideal illumination of the whole cooktop
Air extraction or air recirculation system
Energy efficiency class A++

Output

Odour reduction air recirculation 93 %.
Performance and noise output levels:
Air output according to EN 61591. Sound power level according to EN 60704-3.
Air extraction (min/max) according to EN 61591: 210 / 775m³/h.
Noise (min/max):46 / 70 dB (A) re 1 pW.
Air recirculation (min/max) according to EN 61591: 540 / 740m³/h.
Noise (min/max):73 / 78 dB (A) re 1 pW.

Features

3 electronically controlled power levels and 1 intensive mode.
Remote control is available as a special accessory.
Interval ventilation, 6 min.
Run-on function, 6 min.
Grease filter saturation indicator.
Metal grease filter, dishwasher-safe.
Glas filter cover.
Neutral white LED light (4000 K), dimmable.
Lamp output 2 x LED spot 1W.
Illuminance 244 lx.
Fan technology with highly efficient, brushless DC motor (BLDC).

Consumption Rates

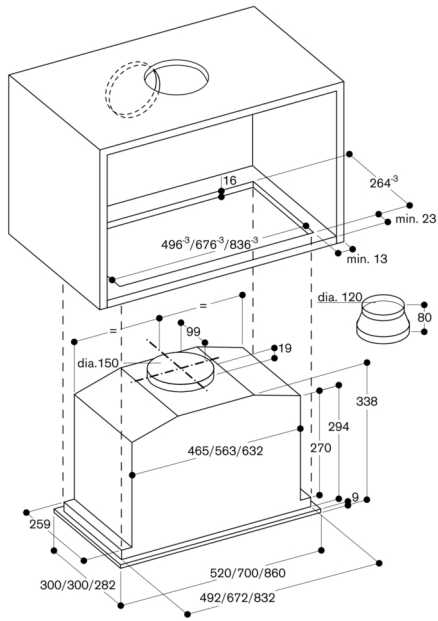
Sound level min/max (intensive) according to EN 61591: 46 / 70 dB(A)

Performance

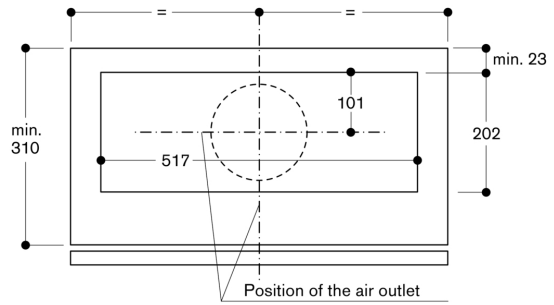
Patented air recirculation module with activated charcoal filter can be installed in the upper cabinet. The activated carbon filter can be changed from the front by simply pulling out the filter drawer.
The door of the upper cabinet must be fully open in order to change the activated charcoal filter.
Can be integrated invisibly in upper cabinet.
Vario cooktops with intensive production of vapours like VR/VP/VF should be placed in the middle beneath the hood (in this case air recirculation is not recommended).
Clearance above gas appliances min. 65 cm(more than total load gas 12 kW min. 70 cm).
Clearance above electric appliances min. 50 cm.
When installing a ventilation hood with air extraction mode and a chimney-vented fireplace, the power supply line of the ventilation appliance needs a suitable safety switch.

Connection

Total connected load 172 W.
Connecting cable 1.0 m with plug.



View of upper cabinet from above with AC 200 and AA 211 812



Cross-section of upper cabinet with AC 200 and AA 211 812

