



AC462181

AA400510:

Window contact switch with cable

Accessory Ceiling Ventilation 400 series

AC462181

- Control module of ceiling ventilation without light
 - For configurations without integrated light
 - Power levels depend on the remote fan unit.
 - 7-key infrared remote control, backup keys for operation also on the control module.
 - 3 electronically controlled power levels and 1 intensive mode.
 - Control module of ceiling ventilation without light
- For configurations without integrated light

Output

Power levels depend on the remote fan unit.

Features

7-key infrared remote control, backup keys for operation also on the control module.

3 electronically controlled power levels and 1 intensive mode.

Interval ventilation, 6 min.

Run-on function, 6 min.

Grease filter saturation indicator.

Performance

Connection to the respective appliances via network cable.

When installing a ventilation hood with air extraction mode and a chimney-vented fireplace, the hood's power supply line needs a suitable safety switch.

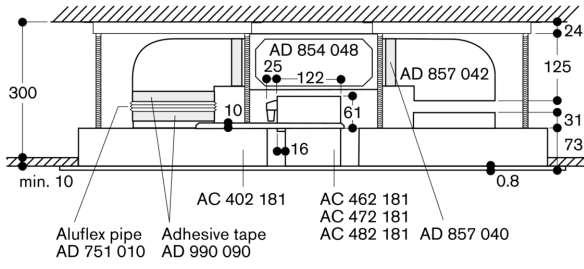
Fixing at the filter module.

Connection

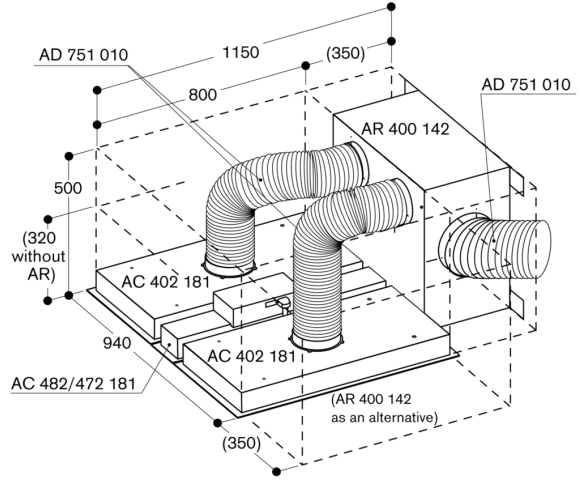
Total connected load 355 - 1160 W.

Connecting cable 1.75 m, pluggable.

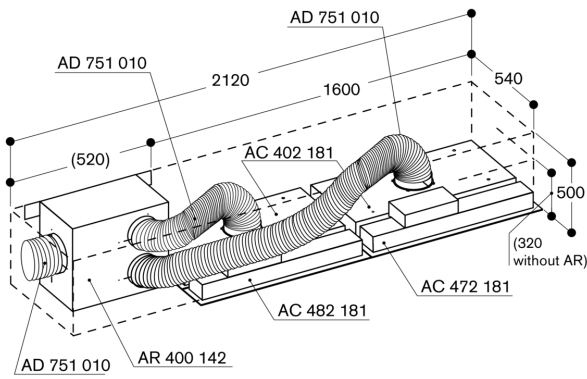
Minimum installation height including flat duct DN 150



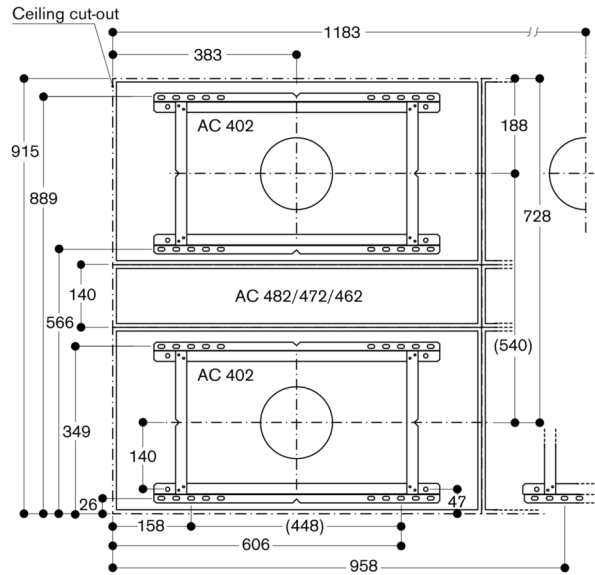
Necessary installation space F2-CL

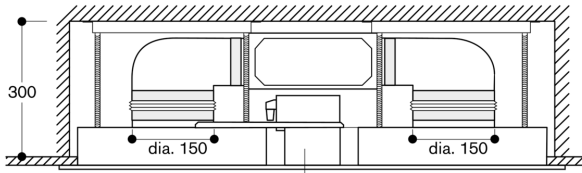


Necessary installation space FL2-CL-L1

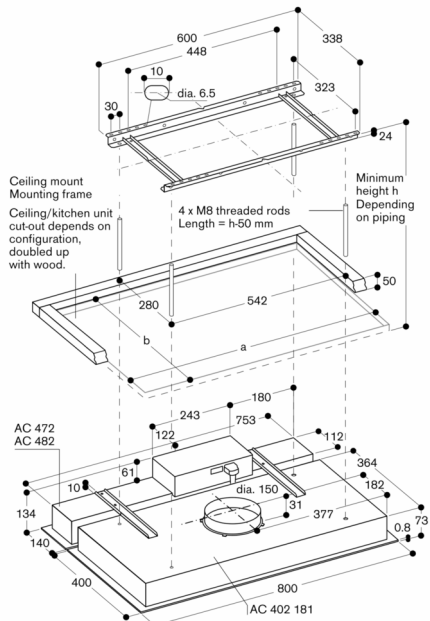
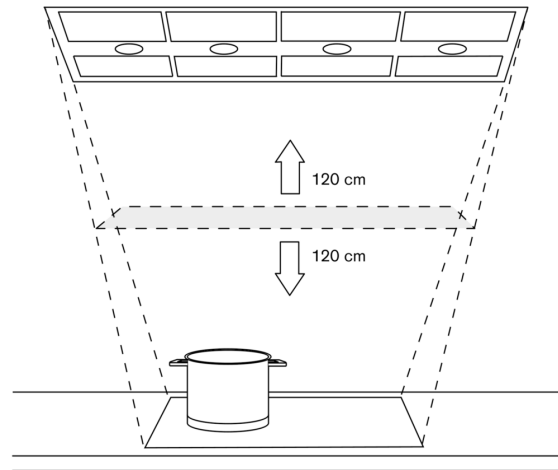
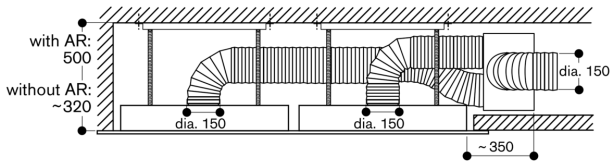
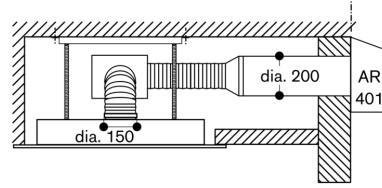


AC 402 Ceiling fixture and position of connecting piece DN 150



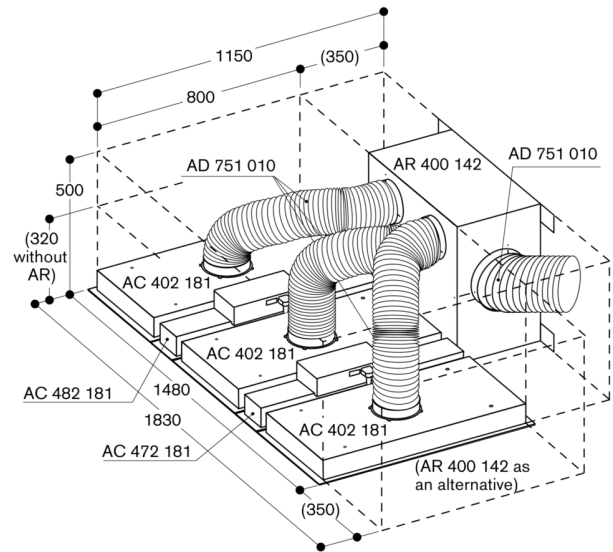


AC 462 181
AC 472 181
AC 482 181



For multiple configurations:
Ceiling deflection around cut-out: max. + 3 mm.
Support is required in the middle to prevent deflection upwards when fastening the modules.
The required threaded rods, nuts and ceiling bolts are supplied as standard.

Necessary installation space F3-CL-L1



AC 402 Further possible ceiling fixture

