

AF210191
Flat kitchen hood 200 series
Stainless steel handle bar
Width 90 cm
Air extraction / Air recirculation



Unobtrusive flat kitchen hood design thanks to integrated glass panel in the steam screen
 Especially quiet operation thanks to integrated sound insulation
 Steam screen extends by touching the handle bar
 Especially high air output
 Energy-saving, low-noise fan
 Function for automatic, sensor-controlled power adjustment depending on the build-up of cooking vapours
 Dimmable, neutral white LED light for ideal illumination of the whole cooktop
 The patented lowering frame allows the flat kitchen hood to disappear completely into the upper cabinet
 Air extraction or air recirculation system
 Air recirculation module with activated charcoal filter: quiet and highly efficient air recirculation solution with odour reduction as in air extraction mode and long replacement intervals

Output
 Performance and noise output levels:
 Air output according to EN 61591.
 Sound power level according to EN 60704-3.
 Odour reduction air recirculation 91%.

Features
 Controls at front.
 3 electronically controlled power levels and 1 intensive mode.
 Automatic function with sensor-controlled run-on function.
 Grease filter saturation indicator.
 Stainless steel grease filter, dishwasher-safe.
 Neutral white LED light (3500 K), continuously dimmable.
 Lamp output 3 x LED 3W.
 Illuminance 762 lx.
 Light can be switched on separately.
 Fan technology with highly efficient, brushless DC motor (BLDC).
 Integrated sound insulation for quiet operation.
 The fan is activated when the steam screen is extended.
 Patented technology for extension of the steam screen.
 Extendable steam screen 198 mm.
 Airflow-optimised interior for efficient air circulation and ease of cleaning.
 Patented easy mounting system for simple installation.
 The package includes an one-way flap.

Consumption data
 Energy consumption 43.3 kWh/year.
 Ventilation efficiency class A.
 Illumination efficiency class A.
 Grease filter efficiency class B.
 Sound level min/max (intensive) according to EN 61591: 42 / 71 dB(A)

Planning notes
 Patented air recirculation module with activated charcoal filter can be installed in the upper cabinet. The activated carbon filter can be changed from the front by simply pulling out the activated charcoal filter.
 The door of the upper cabinet must be fully open in order to change the activated charcoal filter.
 To be installed in an upper cabinet without base.

Characteristics
Product name/family
Color chimney
Typology
 Pull-out
Approval certificates
 Australia Standards, CE, Eurasian, G-Mark, Ukraine, VDE
Length electrical supply cord
 175
Required niche size for installation (HxWxD)
 349mm x 524.0mm x 290mm
Height of the chimney
Height of product, without chimney
Minimum distance above an electric hob
 430
Minimum distance above a gas hob
 650
Net weight
 17.5
Type of control
 Electronic
Number of speed settings
Maximum output air extraction
 516
Boost position output recirculating
 649
Maximum output recirculating air
 500
Boost position air extraction
 964
Number of lights
 3
Noise level
 57
Diameter of air outlet
 120 / 150
Grease filter material
 Washable stainless steel
EAN code
 4242006267261
Connection Rating
 269
Fuse protection
 10
Voltage
 220-240
Frequency
 50; 60
Plug type
 CH plug w/ earthing, Gardy plug w/ earthing, GB plug
Installation typology
 Built-in

Consumption and connection features
 2022-02-04
 Page 1

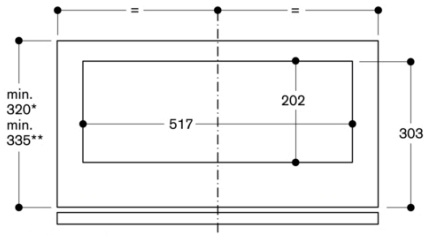
The required cavity depth of the upper cabinet together with the lowering frame measures 335 mm.
 The required cavity height of the upper cabinet together with the lowering frame measures 600 mm.
 Clearance above gas appliances min. 65 cm (more than total load gas 12 kW min. 70 cm).
 Clearance above electric appliances min. 43 cm.
 When installing a ventilation hood with air extraction mode and a chimney-vented fireplace, the power supply line of the ventilation appliance needs a suitable safety switch.

Connection
 Total connected load 269 W.
 Connecting cable 1.8 m, pluggable.

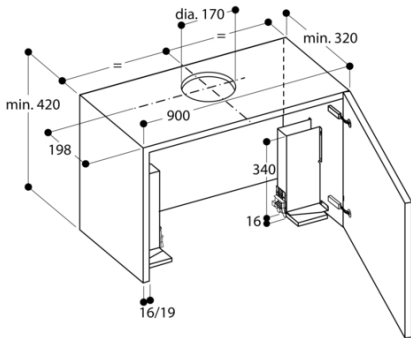
Color Variants
AF210191
Stainless steel handle bar
Width 90 cm

AF210191
 Flat kitchen hood 200 series
 Stainless steel handle bar
 Width 90 cm
 Air extraction / Air recirculation
 2022-02-04
 Page 2

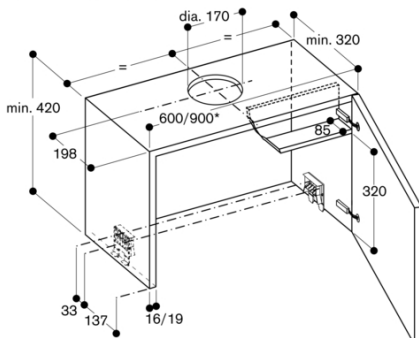
View of upper cabinet from above with AA 211 812



* Appliance only
 ** Appliance with AA 210 490/460 lowering frame

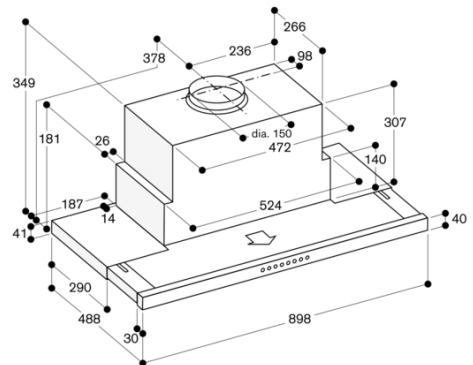
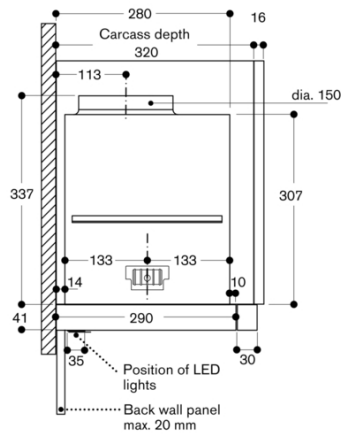
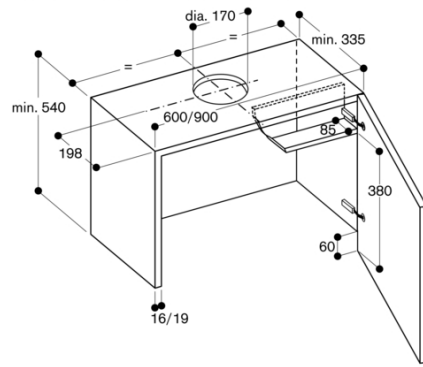


Upper cabinet for AF 210

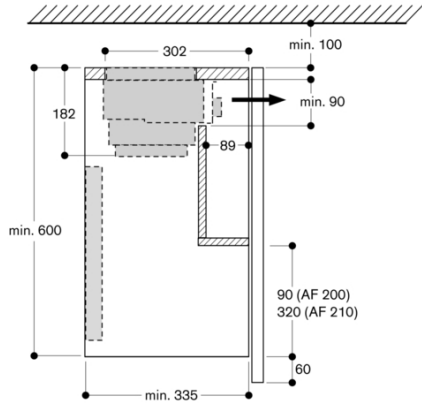


* for upper cabinets measuring 90 cm, the AA 210 491 installation set is required in addition

Upper cabinet for AF 210
 with AA 210 460/AA 210 490 lowering frame



Cross-section of upper cabinet with AA 211 812 and AA 210 490/460 lowering frame



Cross-section of upper cabinet with AA 211 812

