



BMP224110

Built-in microwave 200 Series

Door hinge: Right, Metallic

BMP224110

Flush installation

Handleless door / automatic door opening

Single operation and combination of microwave and grill

Sequential operation of up to 5 modes incl. programming of combined operation and rest time

TFT touch display

Electronic temperature control

Interior volume 21 litres

Programs

Microwave operation with 5 output levels: 900, 600, 360, 180, 90 W.

Full surface grill with 3 levels of intensity, maximum output 1300 W.

Full surface grill with microwave output levels 360, 180 and 90 W combinable.

10 automatic programmes with weight indication:

3 defrosting programmes 4 cooking programmes 3 combination programmes

Option to save individual recipes.

Capacity

Automatic door opening.

Rotary knob and TFT touch display operation.

Clear text display.

Information key with use indicators.

Side-opening door opens up to 110° angle.

Features

Innowave.

Actual temperature display.

25 W interior light.

Hygienic stainless steel interior with glass ceramic base.

Safety

Thermally insulated door with double glazing.

Triple door lock.

Child lock.

Safety shut-off.

Cooled housing with temperature protection.

Performance

Door hinge not reversible.

Minimum installation height 85 cm (top edge of niche bottom).

Height-adjustable feet by a total of 120mm

Installation of BMP above BOP with intermediate shelf.

Necessary lateral gap between appliance door and furniture panel of min. 5 mm.

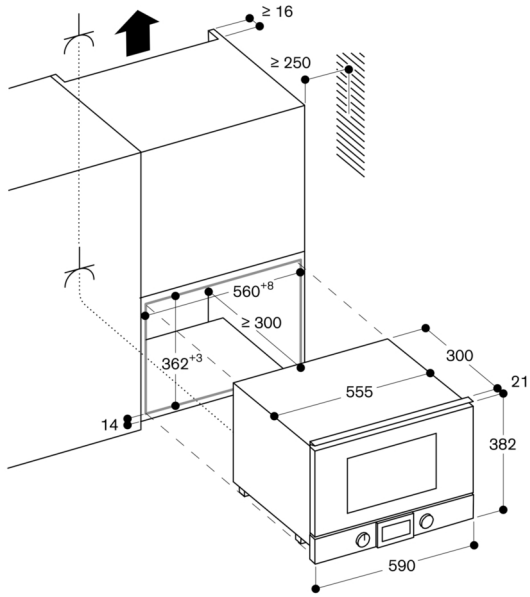
The door panel surface of the appliance extends 21 mm from the furniture cavity.

When planning a corner solution, pay attention to the 90° door opening angle.

Connection

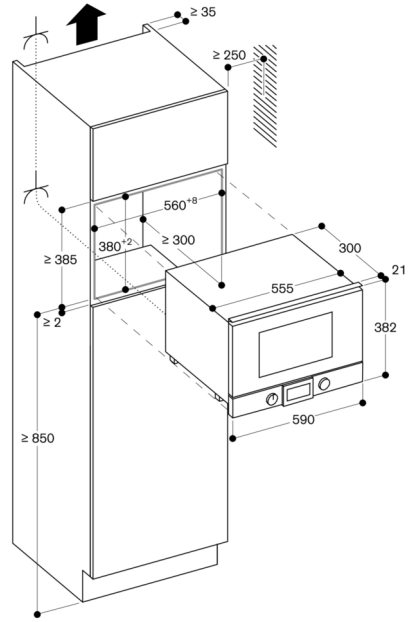
Total connected load 2.0 KW.

Installation in an upper cabinet



Socket
measurements in mm

Installation in a tall cupboard



Socket
measurements in mm

Side view of BMP 224/225 over BOP

