



BOP220132

BA016105:

1 telescopic shelf rail, for 60cm oven

BA026115:

Baking tray, for 60cm oven

BA036105:

wire rack, for 60cm oven

BA046117:

Glass tray, for 60cm oven

BA056115:

Heating elem. 230 V, for 60cm oven

BA056133:

Baking stone for 60 cm oven

BA226105:

Grill tray, for 60cm oven

BS020002:

Set of 2 pizza paddles

GN340230:

Gastronorm roaster GN 2/3

Built-in oven 200 Series

60 x 60 cm, Door hinge: Right, Gaggenau Silver
BOP220132

Flush installation

Pyrolytic system

9 heating methods, with baking stone function

TFT touch display

Panel-free appliance with surface control module

Electronic temperature control from 50 °C to 300 °C

Net volume 76 litres

Heating methods

Hot air.

Eco hot air. Top + bottom heat. Top heat.

Bottom heat. Hot air + bottom heat. Full surface grill + circulated air. Full surface grill. Baking stone function.

Capacity

Rotary knob and TFT touch display operation.

Clear text display.

Option to save individual recipes.

Information key with use indicators.

Side-opening door opens up to 110° angle.

Features

Baking stone socket.

Actual temperature display.

Rapid heating.

60 W halogen light on the top.

Enamelled side shelf supports with 4 tray levels, pyrolysis-safe.

Home network integration for digital services (Home Connect) either via cable connection LAN or wireless via WiFi.

The use of the Home Connect functionality depends on the Home Connect services, which are not available in every country. For further information please check: home-connect.com.

Safety

Thermally insulated door with quintuple glazing.

Child lock.

Safety shut-off.

Cooled housing with temperature protection.

Cleaning

Pyrolytic system.

Gaggenau enamel.

Heated catalyser to clean the oven air.

Performance

Door hinge not reversible.

The door panel surface of the appliance extends 21 mm from the furniture cavity.

The outer edge of the door handle extends 72 mm from the furniture cavity.

Necessary lateral gap between appliance door and furniture panel of min. 5 mm.

Consider the overhang, incl. the door handle, when planning to open drawers next to the appliance.

When planning a corner solution, pay attention to the 110° door opening angle.

For installation underneath cooktops: Distance between the underside of the cooktop and the top edge of the oven cavity: min. 15 mm. The planning notes for the cooktops (particularly regarding ventilation, gas/electric connection) must be taken into account.

To achieve the 550 mm installation depth, the connection cable needs to follow the slanted edge on the corner of the housing.

The mains socket needs to be planned outside the built-in niche.

The LAN port can be found at the back on the upper right side.

Connection

EU 65/2014

Total connected load 3.7 KW.

Plan a connection cable.

Power consumption standby/display on 0.7 W.

Power consumption standby/display off 0.5 W.

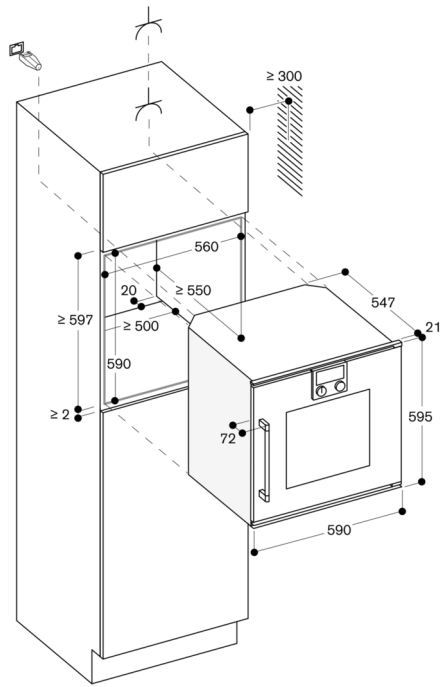
Power consumption standby/network 1.4 W.

Time auto-standby/display on 20 min.

Time auto-standby/display off 20 min.

Time auto-standby/network 20 min.

Plan a LAN cable.



measurements in mm