



BS474111

CLS10040:

Cleaning cartridge, 4 pcs.

CLS20040:

Descaling cartridge, 4 pcs.

GN114130:

GN insert unperf, st. steel, GN1/3, 40mm

GN114230:

GN insert unperf, st. steel, GN2/3, 40mm

GN124130:

GN insert perf, st. steel, GN1/3, 40mm

GN124230:

GN insert perf, st. steel, GN2/3, 40mm

GN144130:

GN insert 1/3 unperf, non-stick, 40mm

GN144230:

GN insert 2/3 unperf, non-stick, 40mm

GN154130:

GN insert 1/3 perf, non-stick, 40mm

GN154230:

GN insert 2/3 perf, non-stick, 40mm

GN340230:

Gastronorm roaster GN 2/3

GN410130:

GN lid stainless steel 1/3

GN410230:

GN lid stainless steel 2/3

GR220046:

Grid for steam oven

BA476310:

Accessory 400series, handle60cm BS/BM ss

GF111100:

Water descaling system

GF121110:

Filter cartridge for descaling system

GZ010011:

inlet and outlet hose extention

**Built-in compact oven with steam function 400 series**

60 x 45 cm, Door hinge: Right, Stainless steel behind glass

BS474111

- Handleless door / automatic door opening
- Fixed inlet and outlet water connection
- Cleaning system, fully automatic
- Hot air 30 °C to 230 °C can be combined with chosen humidity level of 0%, 30%, 60%, 80% or 100%
- Sous-vide cooking with accurate temperature regulation

- Handleless door / automatic door opening

Fixed inlet and outlet water connection

Cleaning system, fully automatic

Hot air 30 °C to 230 °C can be combined with chosen humidity level of 0%, 30%, 60%, 80% or 100%

Sous-vide cooking with accurate temperature regulation

Full surface grill behind glass ceramic, combinable with circulated air up to 230 °C and steam

TFT touch display

Panel-free appliance with surface control module

Steaming without pressure

Electronic temperature control from 30 °C to 230 °C

Core temperature probe, removable

Net volume 44 litres

#### Heating methods

Hot air + 100 % humidity.

Hot air + 80 % humidity. Hot air + 60 % humidity.

Hot air + 30 % humidity. Hot air + 0 % humidity.

Low temperature cooking. Sous-vide cooking.

Full surface grill level 1 + humidity. Full surface grill level 2 + humidity. Full surface grill + circulated air. Full surface grill. Defrosting.

Regenerating.

#### Capacity

Automatic door opening.

Rotary knob and TFT touch display operation.

Clear text display.

Option to save individual recipes (incl. core temperature probe).

Information key with use indicators.

Side-opening door opens up to 180° angle.

#### Features

Full surface grill 2000 W behind glass ceramic.

Steam removal.

Misting function, injects additional steam into the cavity

Core temperature probe with automatic shut-off.

Actual temperature display.

Timer functions: cooking time, cooking time end, timer, stopwatch, long-term timer.

Electronic boiling point detection.

Capacity display for filter cartridge (if connected to GF 111 100 descaling system).

48 W halogen light on the side.

Hygienic stainless steel cooking interior.

4 tray levels.

#### Safety

Child lock.

Safety shut-off.

Cooled housing with temperature protection.

#### Cleaning

Cleaning programme, fully automatic.

Descaling programme, fully automatic.

Drying program.

Strainer filter, removable.

Demo cleaning programme.

#### Performance

Door hinge not reversible.

No other electrical appliances should be installed above the BS.

At no point may the outlet hose be positioned higher than the bottom edge of the appliance.

The outlet hose must also be at least 100 mm lower than the appliance outlet (see drawing "drainage connection").

Inlet hose can be extended once.

The outlet hose must not be longer than a maximum of 5 m.

The water connection for the inlet hose must always be accessible and not located directly behind the appliance.

The connection of the outlet hose to the siphon must not be directly behind the appliance and should be accessible.

The descaling system GF 111 100 (3) must be installed when connecting the appliance if the water hardness exceeds 7° dH.

The door panel surface of the appliance extends 47 mm from the furniture cavity.

If the handle (optional accessory) is retrofitted, the outer edge of the door handle extends 94 mm from the furniture cavity.

Consider the overhang, incl. the door handle where applicable, when planning to open drawers next to the appliance.

When planning a corner solution, pay attention to the 90° door opening angle.

To achieve the 550 mm installation depth, the water hoses and connection cable needs to follow the slanted edge on the corner of the housing.

The mains socket needs to be planned outside of the built-in niche.

#### Connection

EU 65/2014

Total connected load 2.9 KW.

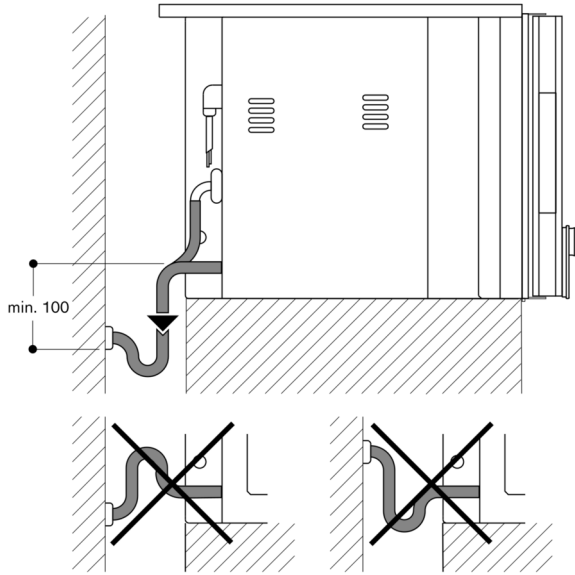
Only cold water connection.

Inlet hose 3.0 m with 3/4" (26,4 mm) connection, extendable.

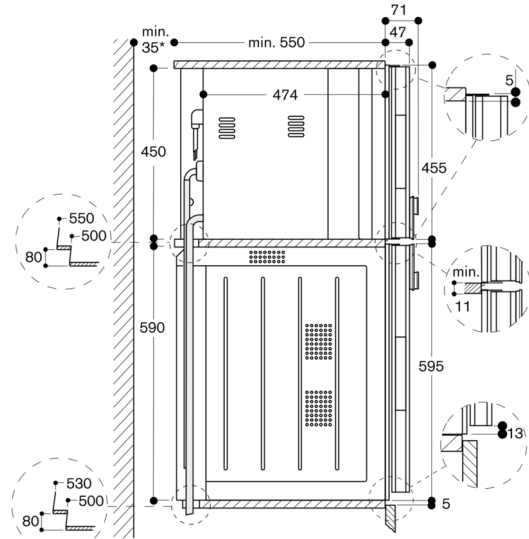
Outlet hose (ø 25 mm) 3.0 m (HT-Hose).

Plan a connection cable.

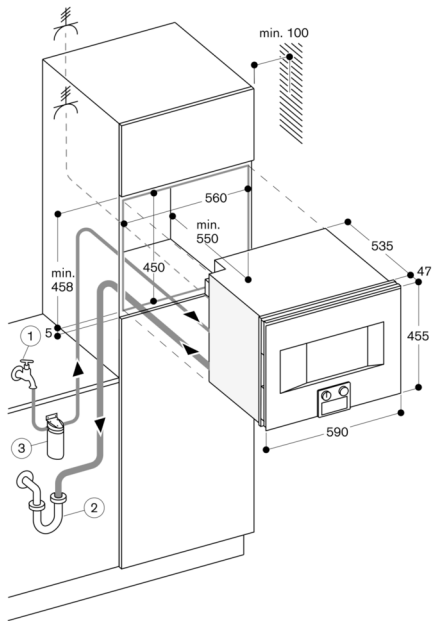
Drainage connection



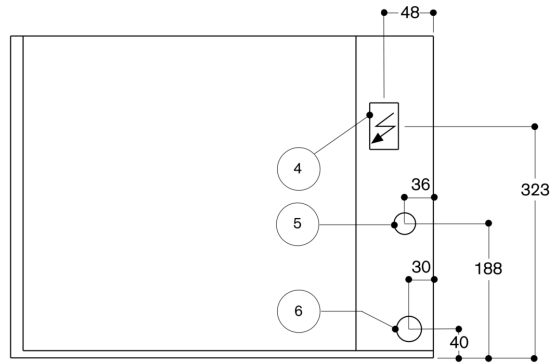
Side view of BS 474/475 above BO



\* Only required if the water hoses for the BS steam oven cannot be accommodated in the corner recesses of the appliances.



View from the back



- (4) electric terminal box
- (5) cold-water connection
- (6) water outlet