



BSP220130

1 x STS tray-GN2/3-punched-40 mm deep  
 1 x STS tray-GN2/3-unpunched-40 mm deep  
 1 x grid

GN114130:  
 GN insert unperf, st. steel, GN1/3, 40mm

GN114230:  
 GN insert unperf, st. steel, GN2/3, 40mm

GN124130:  
 GN insert perf, st. steel, GN1/3, 40mm

GN124230:  
 GN insert perf, st. steel, GN2/3, 40mm

GN144130:  
 GN insert 1/3 unperf, non-stick, 40mm

GN144230:  
 GN insert 2/3 unperf, non-stick, 40mm

GN154130:  
 GN insert 1/3 perf, non-stick, 40mm

GN154230:  
 GN insert 2/3 perf, non-stick, 40mm

GN340230:  
 Gastronorm roaster GN 2/3

GN410130:  
 GN lid stainless steel 1/3

GN410230:  
 GN lid stainless steel 2/3

GR220046:  
 Grid for steam oven

Steamer 200 Series  
 60 x 45 cm, Door hinge: Right, Gaggenau Silver  
**BSP220130**

- Flush installation
- Water tank
- Steaming without pressure with 100% humidity from 30 °C to 100 °C
- TFT touch display
- Panel-free appliance with surface control module
- Flush installation

Water tank  
 Steaming without pressure with 100% humidity from 30 °C to 100 °C  
 TFT touch display  
 Panel-free appliance with surface control module  
 Electronic temperature control from 30 °C to 100 °C  
 Net volume 45 litres

**Heating methods**  
 100 % humidity.  
 Slow steaming. Dough proofing. Defrosting.  
 Regenerating. Low temperature steaming.

**Capacity**  
 Rotary knob and TFT touch display operation.  
 Clear text display.  
 Information key with use indicators.  
 Side-opening door opens up to 110° angle.

**Features**  
 Removable 1.3 litre water tank.  
 Water level warning.  
 Actual temperature display.  
 Timer functions: cooking time, cooking time end, timer, stopwatch.  
 Electronic boiling point detection.  
 48 W halogen light on the side.  
 Hygienic stainless steel cooking interior.  
 4 tray levels.

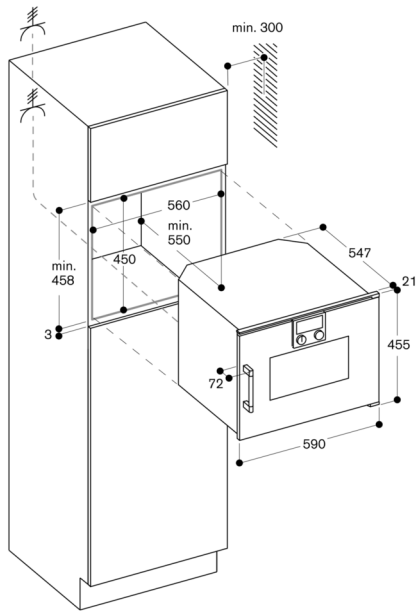
**Safety**  
 Child lock.  
 Safety shut-off.  
 Cooled housing with temperature protection.

**Cleaning**  
 Cleaning aid.  
 Descaling programme.

**Performance**  
 Door hinge not reversible.  
 No other electrical appliances should be installed above the BSP.  
 The door panel surface of the appliance extends 21 mm from the furniture cavity.  
 The outer edge of the door handle extends 72 mm from the furniture cavity.  
 Necessary lateral gap between appliance door and furniture panel of min. 5 mm.  
 Consider the overhang, incl. the door handle, when planning to open drawers next to the appliance.  
 When planning a corner solution, pay attention to the 110° door opening angle.  
 To achieve the 550 mm installation depth, the connection cable needs to follow the slanted edge on the corner of the housing.

The mains socket needs to be planned outside of the built-in niche.

**Connection**  
 Total connected load 1.9 KW.  
 Connection cable 1.5 m without plug.



Side view of BSP, BMP over BOP

