



CI292110

CA060300:

Wireless temperature sensor for cooktop

CA230100:

Magnetic knob, black

GP900001:

System pan diameter 15 cm

GP900002:

System pan diameter 19 cm

GP900003:

Frying sensor pan Ø 21 cm

GP900004:

System pan diameter 28 cm

CA051300:

Teppan Yaki (large)

CA052300:

Griddle Plate

## Induction hob 200 Series

90 cm

CI292110

Sturdy stainless steel frame

Flex function for combining the rectangular cooking areas

Free positioning of cookware inside combined cooking areas

Professional cooking function for splitting the cooktop into 3 predefined heat areas

Large cooking zone for pots up to ø 32 cm

Twist-Pad control with removable magnetic knob

Easy control of all functions with bicoloured display

### Cooking zones

2 flex induction cooking areas 19x23 cm (2200 W, with booster 3700 W), linked together 38x23 cm (3300 W, with booster 3700 W).

1 induction cooking zone ø 21 cm (2200 W, with booster 3700 W), automatically switches to ø 26 cm (2600 W, with booster 3700 W) and to ø 32 cm (3300 W, with booster 3700 W).

### Capacity

Twist-Pad control with removable magnetic knob.

User friendly control with bicoloured display (white / orange).

Cooking zone and cooking area marking.

Electronic power control in 17 output levels.

### Features

Flex function for rectangular cooking areas.

Professional cooking function.

Booster function for pots.

Booster function for pans.

Keep warm function.

Stopwatch.

Cooking timer for up to 99 minutes.

Short-term timer.

Options menu.

Power management.

### Safety

Main switch.

Operation indicator.

Pot detection.

digital 2-step

Child lock.

Safety shut-off.

### Performance

Operates with magnetic (induction) iron pots and pans only. For an optimal heat distribution, the use of sandwich bottom cookware is recommended.

The wok pan WP 400 001 cannot be used with this appliance.

Immersion depth 55 mm.

Intermediate shelf is recommended.

Appliance must be fixed from underneath.

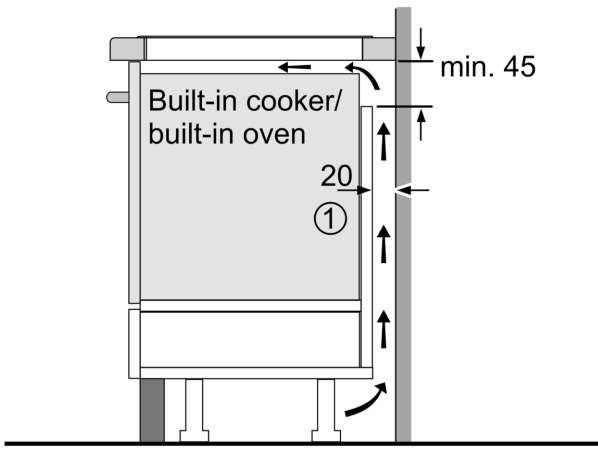
Cooktop clamping range: 20 - 40 mm.

Appliance weight: approx. 22. kg

### Connection

Total connected load 11.1 KW.

Connecting cable 1.5 m without plug.



①  
Ventilation gap must  
be present

All measurements in mm

